

# ASSEMBLY INSTRUCTIONS

## Cold Frames

### CONTENTS

Main aluminium parts	P1
End sections	P2
Adding the long rails	P3
End plates	P4
Centre Legs	P5
Squaring	P6
Fitting shelf runners (optional)	P7
Assembling shelves (optional)	P8
Fitting liner	P9
Fitting handles	P10
Fitting glass	P11
Troubleshooting	P12
Notes on using the frame	P13



Model FF3 shown

Please keep all packaging until installation is complete

**Video instructions:**  
Helpful video clips are available at  
[www.garden-products.co.uk/instructions](http://www.garden-products.co.uk/instructions)

**Can we improve?**  
We hope that you find our instructions clear and concise. If you have any suggestions for improvements email:  
[instructionfeedback@garden-products.co.uk](mailto:instructionfeedback@garden-products.co.uk)

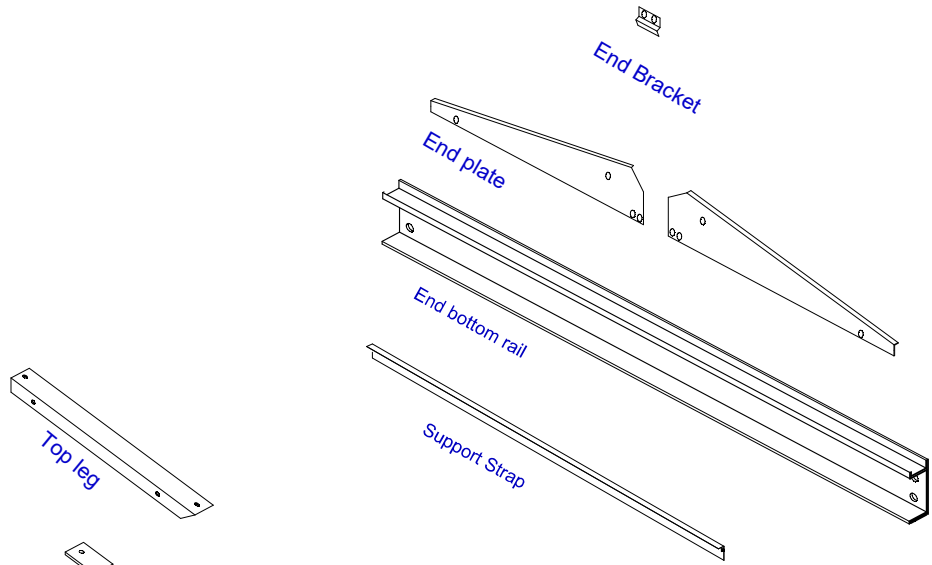
If you have purchased a Cold Frame Watering Kit, read the instructions before assembling the frame.

Access Garden Products  
Crick  
NORTHAMPTON  
NN6 7XS

Tel: 01788 822301  
Fax: 01788 824256  
[sales@garden-products.co.uk](mailto:sales@garden-products.co.uk)  
[www.garden-products.co.uk](http://www.garden-products.co.uk)

Assembly instructions for models: FF3 (4ft) SF3 (6ft)  
EF3 (8ft)

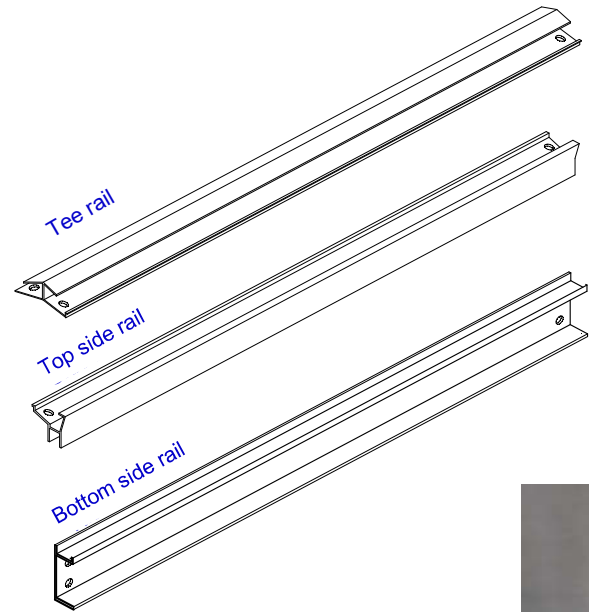
Date: Jan 2023 Rev 10 File: F3



End parts	FF3	SF3	EF3
End plate	4	4	4
End bracket	2	2	2
Bottom rail	2	2	2
Support Strap		1	1

Leg parts	FF3	SF3	EF3
Front leg	4	6	6
Top leg	4	6	6

**NOTE:** If you purchased the optional watering kit refer to those instructions before assembling the frame.



Long Rails	FF3	SF3	EF3
Tee rail	1	1	1
Top side rail	2	2	2
Bottom side rail	2	2	2

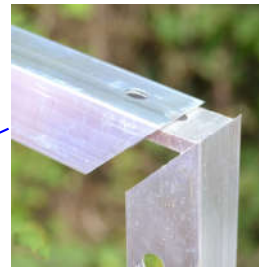


**Powder Coated models only**  
These have washers supplied to protect the coating - refer to instructions in washer pack

Additional Items		Value Cold Frame		
		FF3	SF3	EF3
Handle 585mm		4	6	8
Screw pack	SCREW-H2	1	1	1
Black channel liner	W65-5M	1	2	2
White channel liner	W66-4M	1	1	2
Allen Key	SCREW-H2	1	1	1

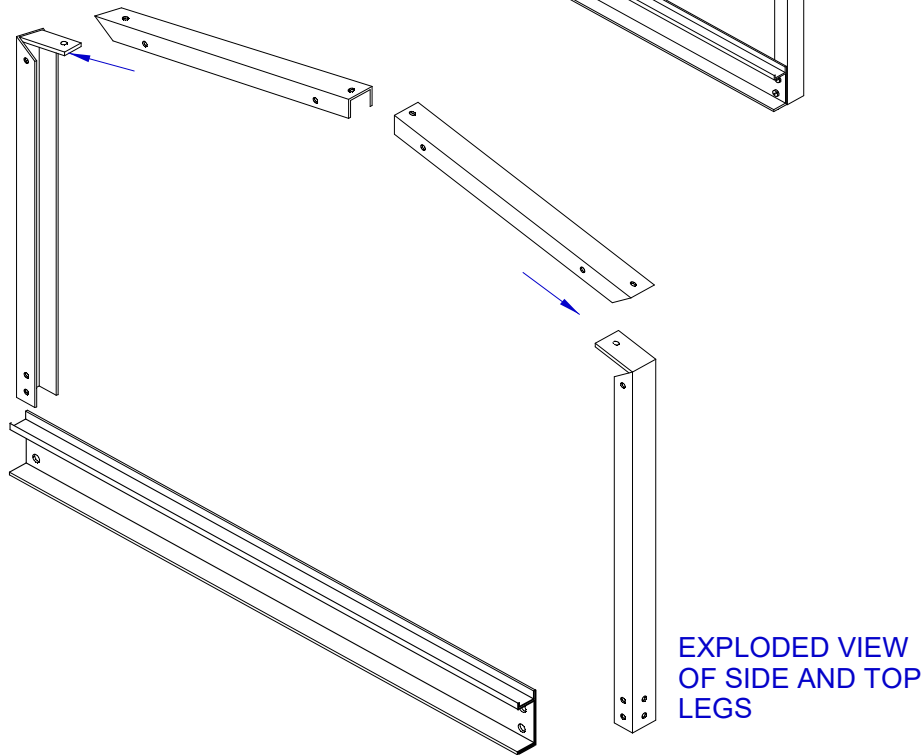
FINISHED LEFT HAND END

Do not put bolts  
in these holes

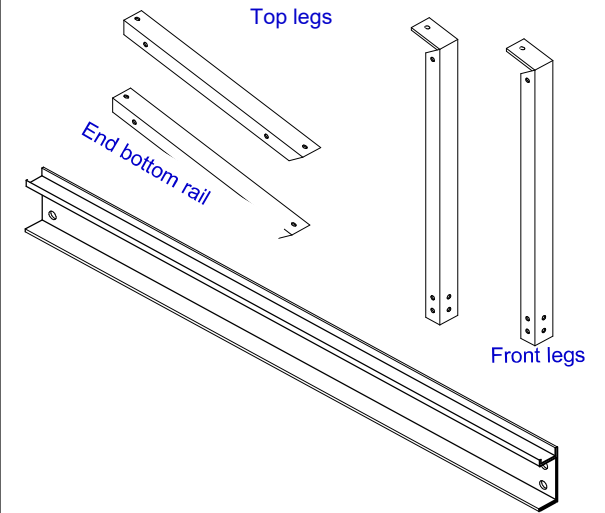


Slide the tongue of  
the front leg into  
the groove on the  
top leg.

Do NOT put a bolt  
through the hole at  
this stage.



EXPLODED VIEW  
OF SIDE AND TOP  
LEGS

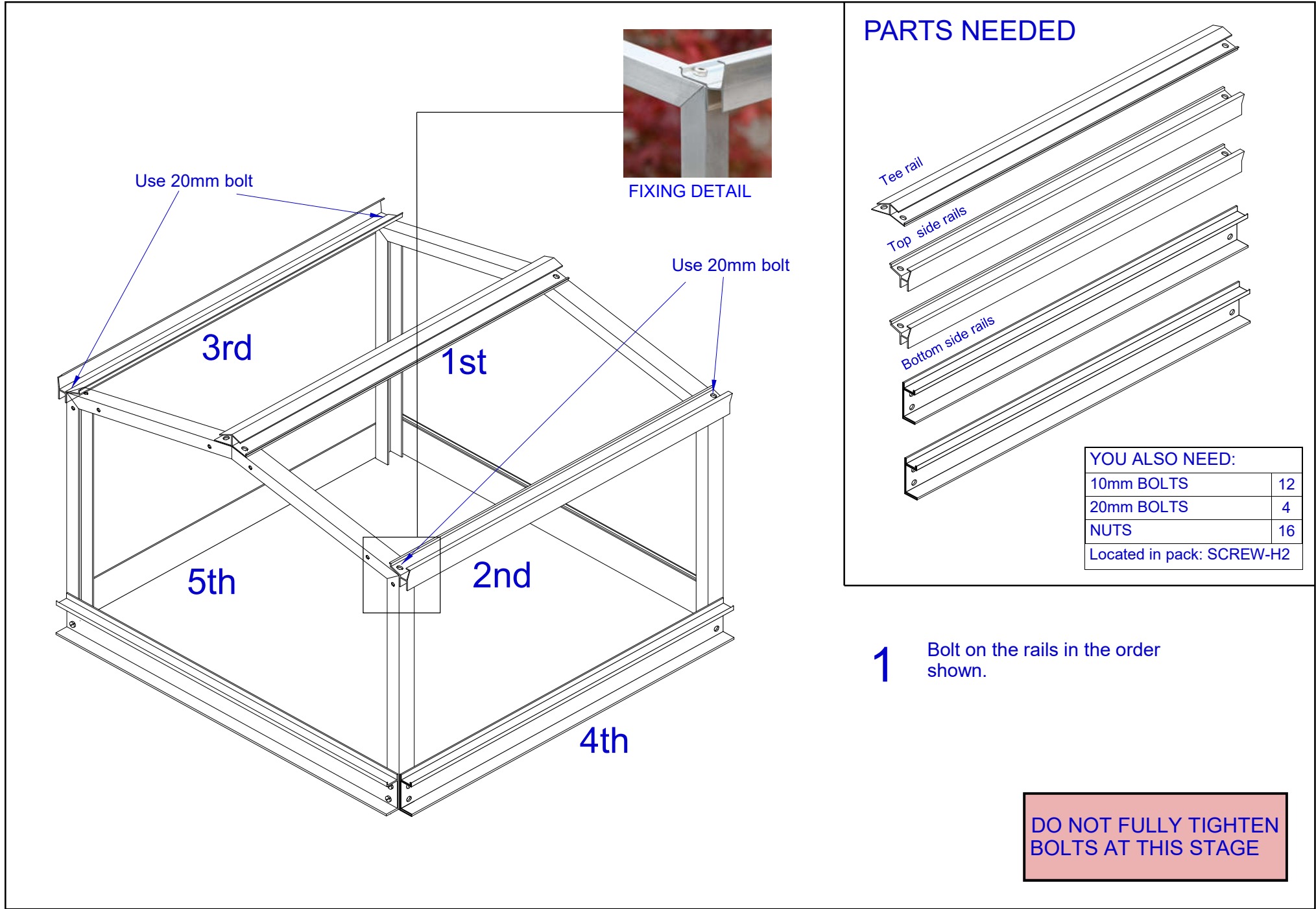


YOU ALSO NEED:	
10mm BOLTS	4
NUTS	4
Located in pack: SCREW-H2	

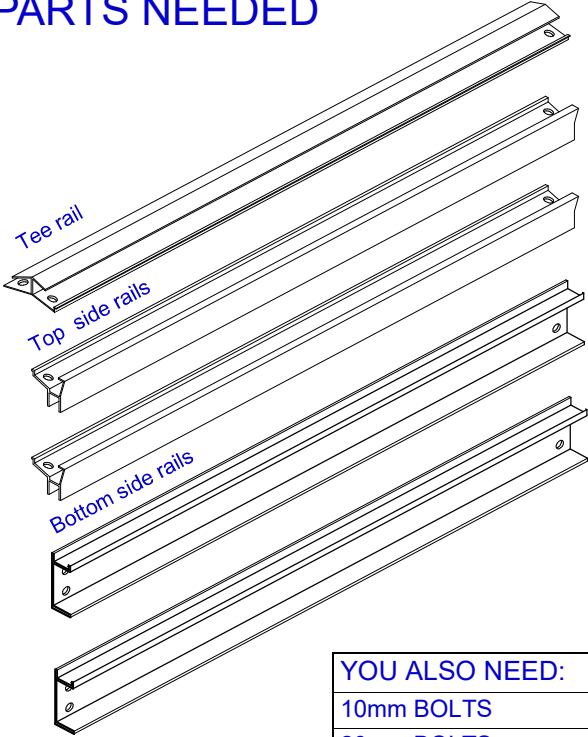
**PARTS NEEDED FOR EACH END**

- 1 Slot the side and top legs together
- 2 Make up the LEFT hand end as shown.
- 3 Make up the RIGHT hand end (NOT SHOWN)

**DO NOT FULLY TIGHTEN  
BOLTS AT THIS STAGE**



**PARTS NEEDED**

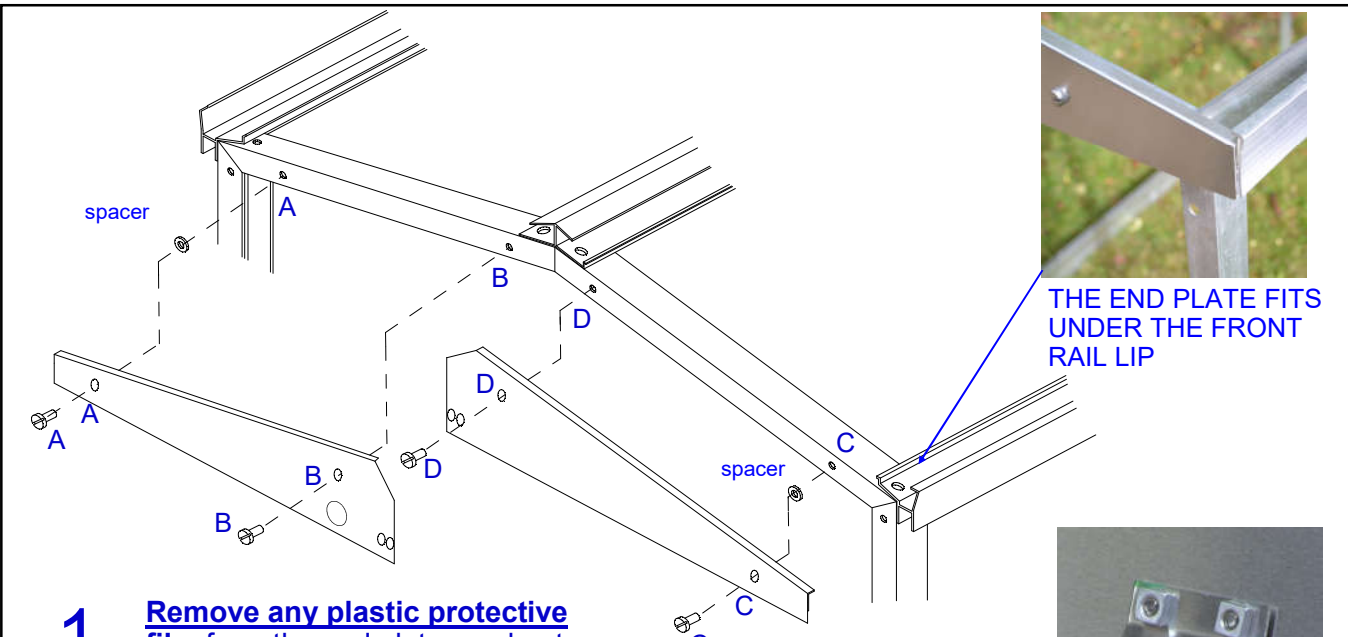


**YOU ALSO NEED:**

10mm BOLTS	12
20mm BOLTS	4
NUTS	16
Located in pack: SCREW-H2	

**1** Bolt on the rails in the order shown.

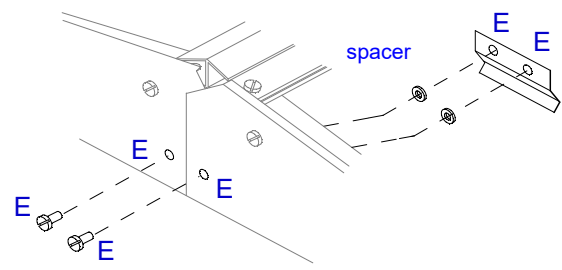
**DO NOT FULLY TIGHTEN BOLTS AT THIS STAGE**



THE END PLATE FITS UNDER THE FRONT RAIL LIP



Completed bracket inside Cold Frame



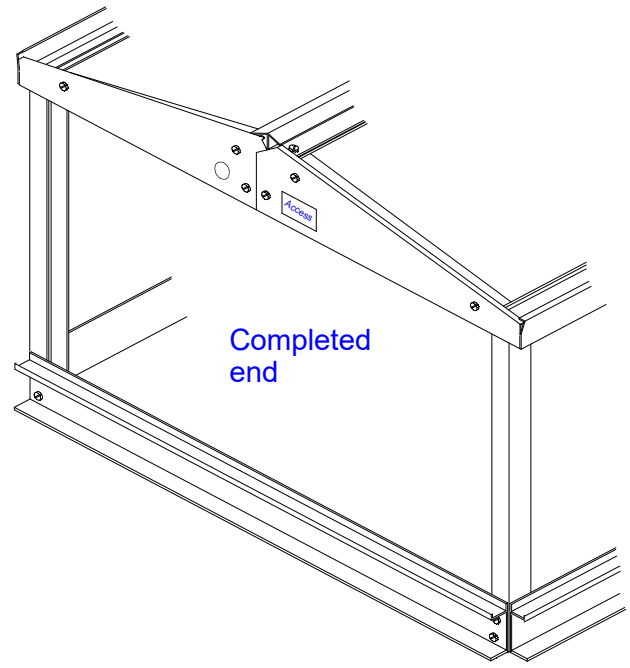
**PARTS NEEDED FOR EACH END**

**YOU ALSO NEED:**

10mm BOLTS	6
NUTS	6
3mm WHITE SPACER	4
BLACK GROMMET	2
Located in pack: SCREW-H2	

'Access' sticker

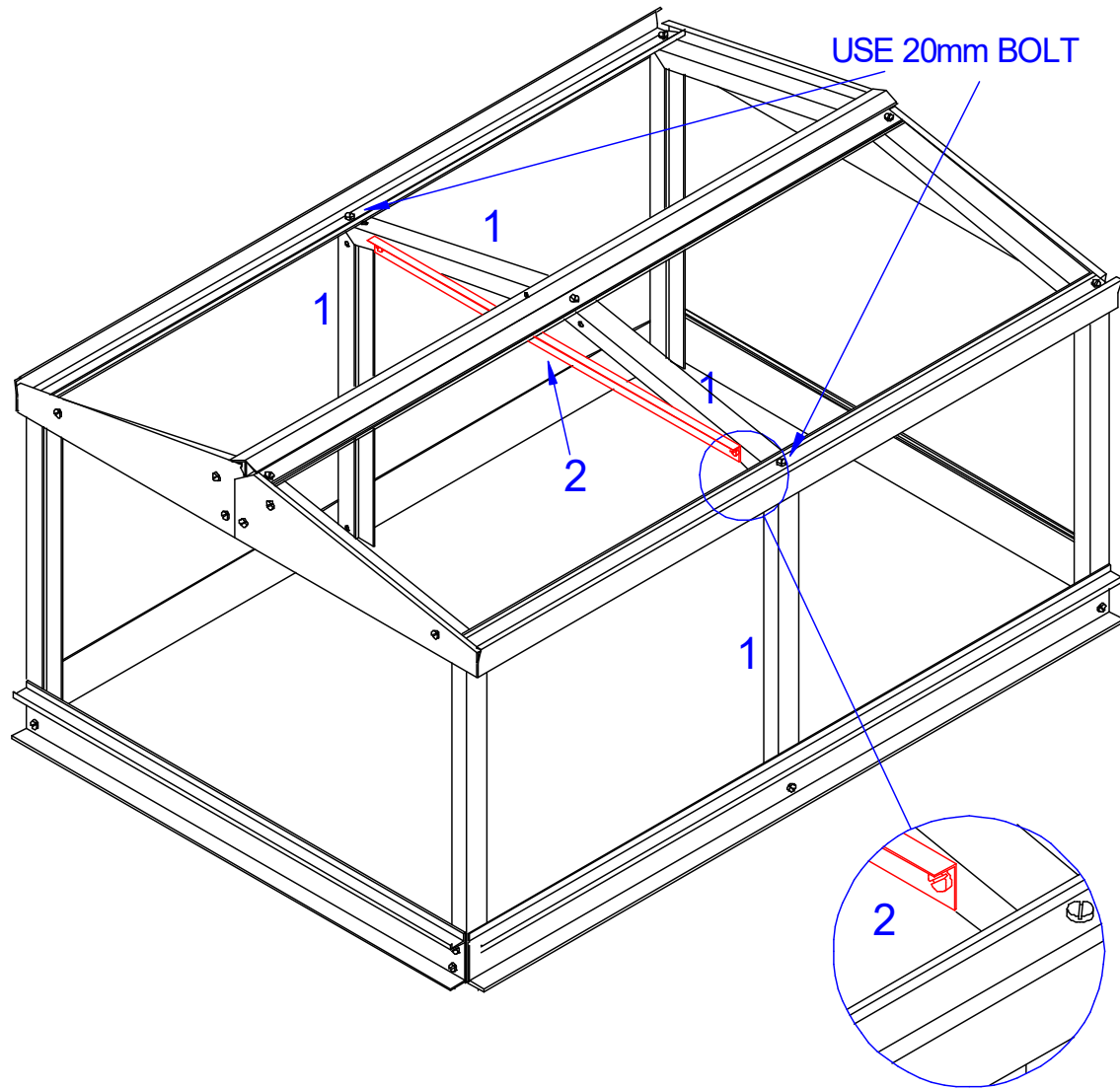
- 1 **Remove any plastic protective film** from the end plates and put 'Access' sticker on.
- 2 Bolts 'A' and 'C' go through the end plate THEN have a 3mm white spacer fitted BEFORE fitting to the frame.
- 3 Bolts 'B' and 'D' only go through the end plate and the frame.
- 4 Bolts 'E' go through the end plate THEN have a 3mm white spacer fitted. THEN push the end bracket over the bolts and fit the nuts.
- 5 One end plate will have a large hole in. Fit the black grommet into this hole.
- 6 Repeat for the other end



Completed end

**IF YOU HAVE A 4' LONG MODEL GO TO PAGE 6**

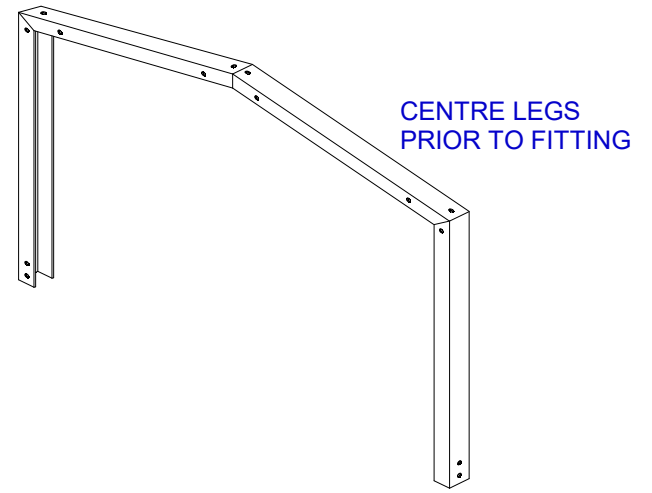
**DO NOT FULLY TIGHTEN BOLTS AT THIS STAGE**



**1** Fit legs as shown into frame.

**2** Fit centre support strap as shown. If the strap seems slightly too short, pull upwards on the tee rail at the centre point. This will bring the fixing holes slightly closer together.

YOU ALSO NEED:	
10mm BOLTS	8
20mm BOLTS	2
NUTS	10
Located in pack: SCREW-H2	



# CENTRE LEGS



**1** Use a sheet of glass to square the unit up as shown. Slacken the nuts if necessary to move the framework into a square position.

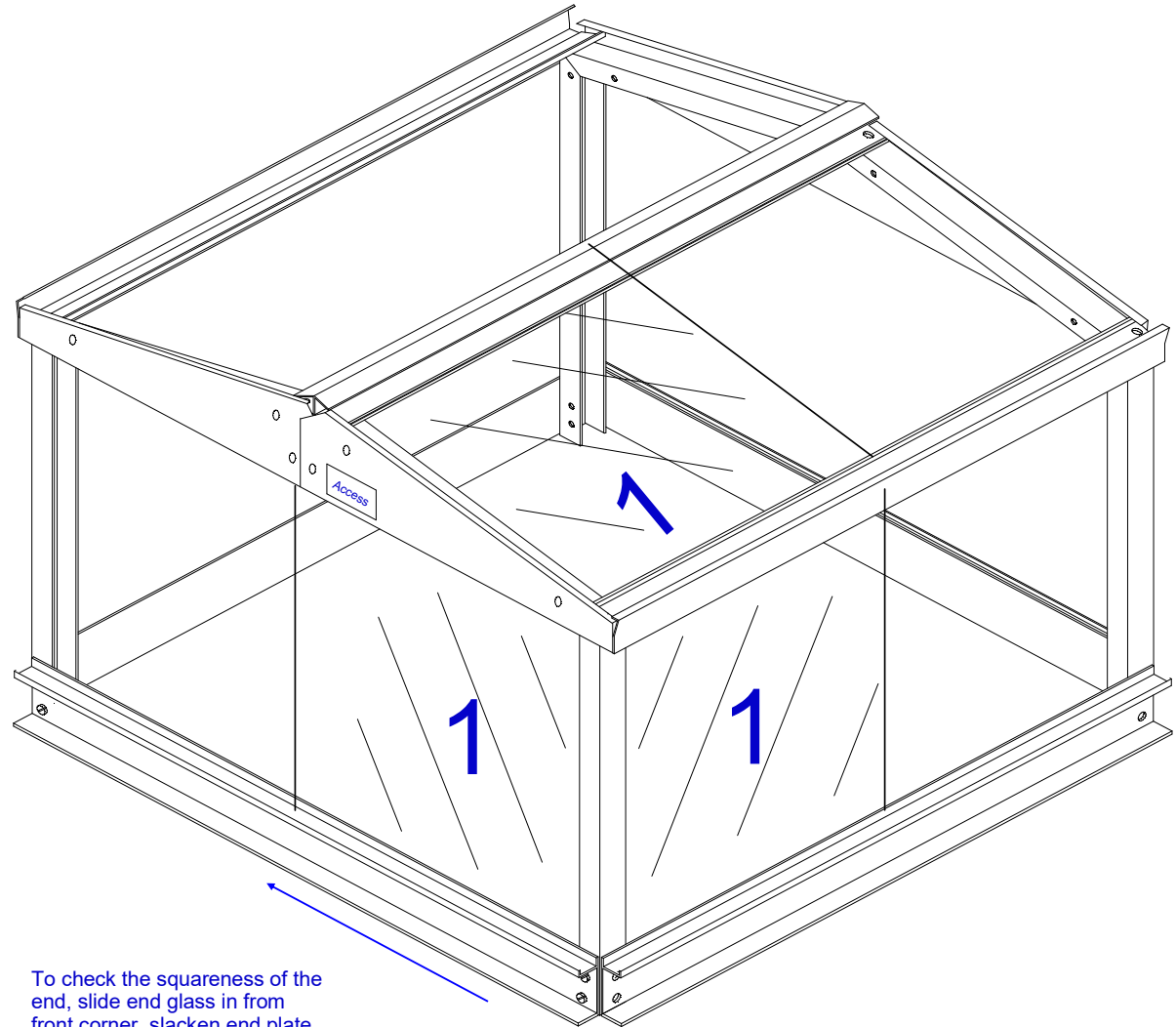
Page 11 gives instructions on how to fit the glass sheets into the frame.

Remove glass once squaring is complete.

Once the frame is completely square tighten up all the bolts.

**FULLY TIGHTEN ALL BOLTS EXCEPT THE END PLATE BOLTS**, otherwise the framework will quickly work loose.

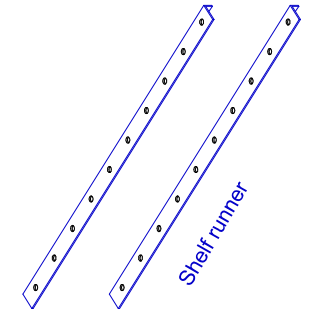
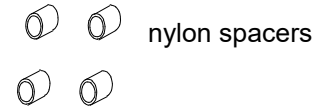
**PERIODICALLY CHECK THE TIGHTNESS OF THE BOLTS**



To check the squareness of the end, slide end glass in from front corner, slacken end plate bolts if necessary

## SQUARING

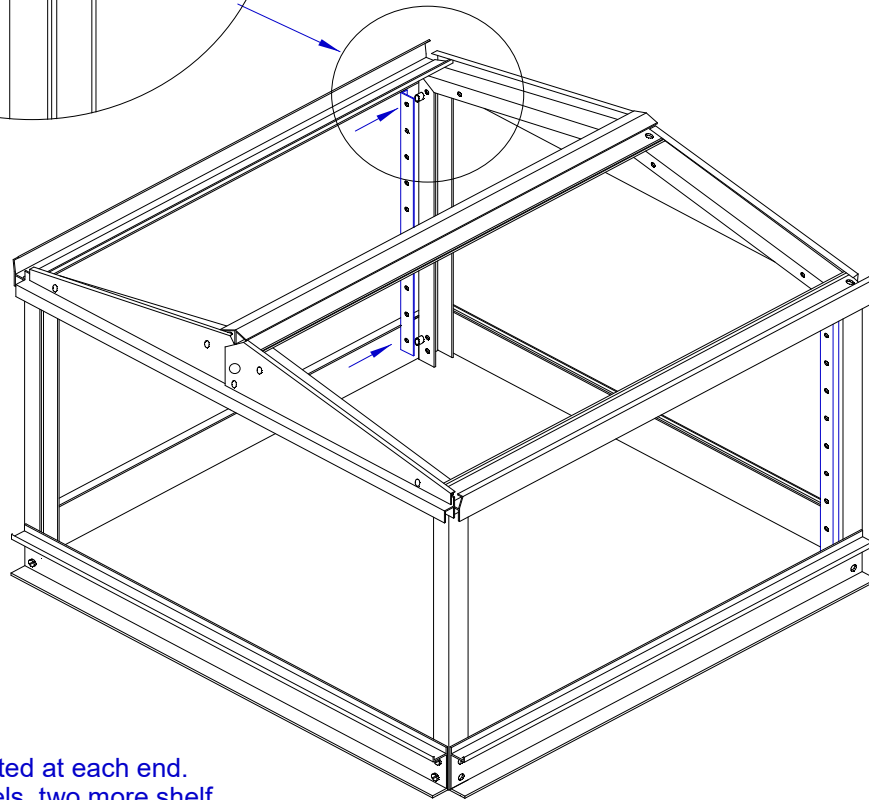
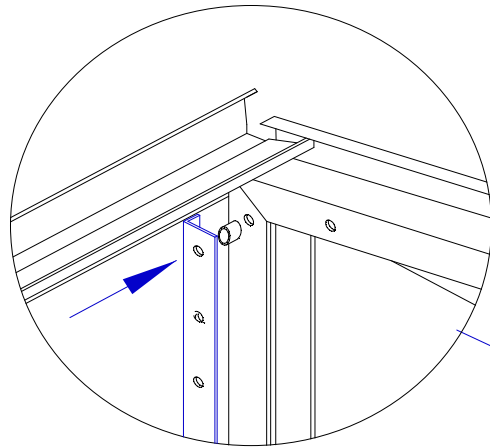
## PARTS NEEDED



YOU ALSO NEED:	
20mm BOLTS	4
NUTS	4
Located in pack: SURG	

### 1 SHELF RUNNERS

Bolt a shelf runner onto each of the legs using 20mm bolts. The white nylon spacer is fitted between the leg and the runner.

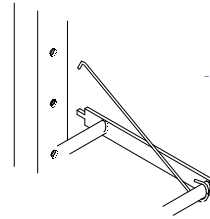


Shelves can be fitted at each end.  
On 6' and 8' models, two more shelf sets can be fitted to the centre legs.



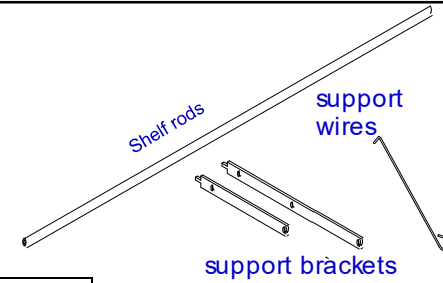
## FITTING

- 1 Lightly tap rawlplug inserts into both ends of the tubular aluminium shelf rods with a hammer.
- 2 Slide the two hooks onto the tube, as shown then screw the support bracket on at each end.
- 3 Fit the other rods to the shelf.



Hook support wire into top hole, then swing shelf upward into the adjacent hole below.

## PARTS NEEDED

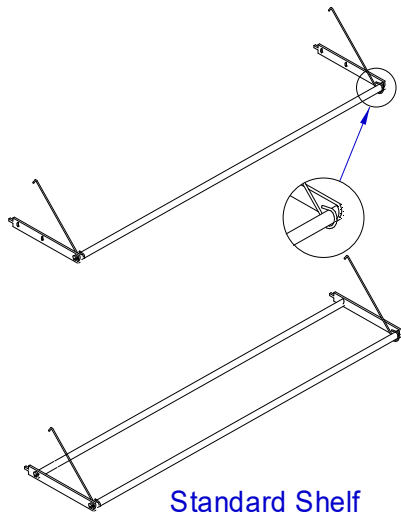
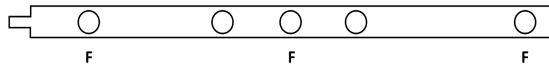


### YOU ALSO NEED PER SHELF ROD:

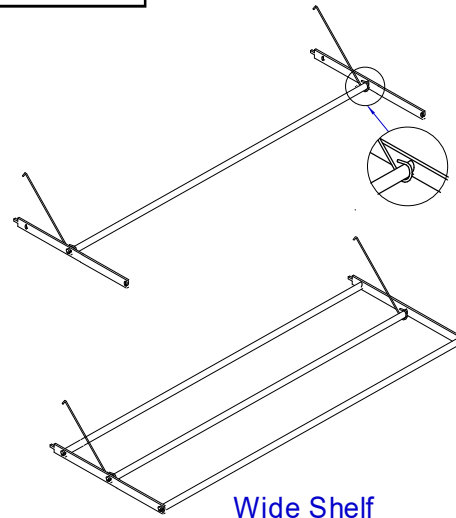
RAWLPLUG	2
1" WOOD SCREW	2
Located in packs: S-V	

### NEW 5-hole strap

Fit the rods to the holes 'F'



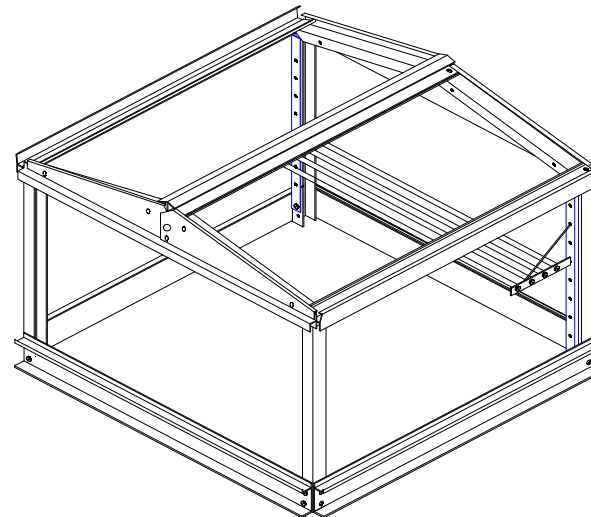
Standard Shelf



Wide Shelf

4

Fit the shelves across the end of the frame, on to the shelf runners



The large number of holes on the runner allow the spacing of the shelves to be easily altered.

When the shelves are not needed they can either be removed or they can be unhooked from the lower fixing hole and hung flat using the wires.



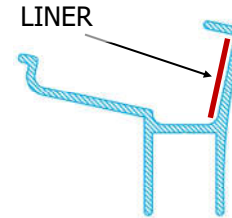
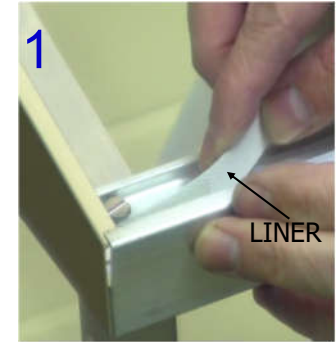
Bottom shelf hung flat against the back

Note: A Pozidrive screwdriver will fit the screws best

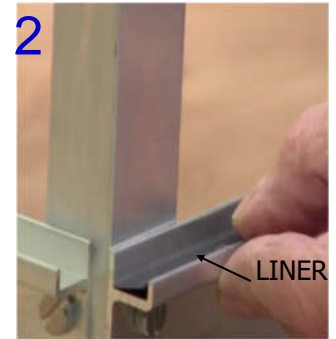
## SHELF ASSEMBLY (optional)

# FITTING THE CHANNEL LINER

**1** The white liner (W66-4M) fits on the inside vertical face of each side rail only. This is a loose fit so strips of double sided tape are included to secure it until the glass is in place.

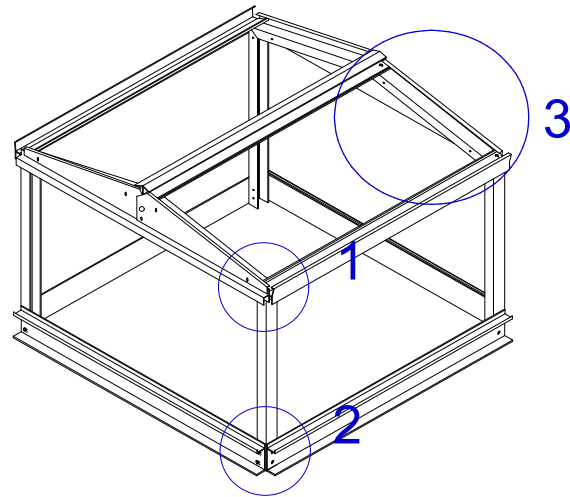
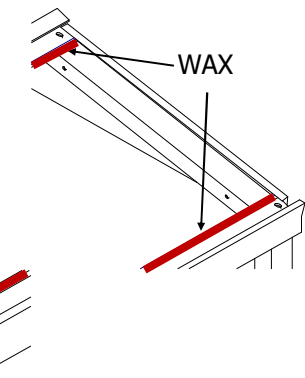


**2** The black plastic liner (W65-5M) goes in the side bottom rails (not end rails). Using the strips of double sided tape press liner down so that it **LIES FLAT** at the bottom of the channel - trim with a knife if necessary.

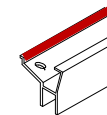
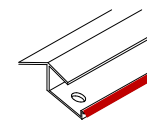


THE DOORS WILL NOT SLIDE PROPERLY IF THE LINER IS NOT FLAT

**3** To make the top glass slide more easily, rub candle wax onto the glass bearers. Also wax the black and white liners.



**TIP:-** Before sticking the tape, clean the aluminium of any oil traces to promote adhesion.



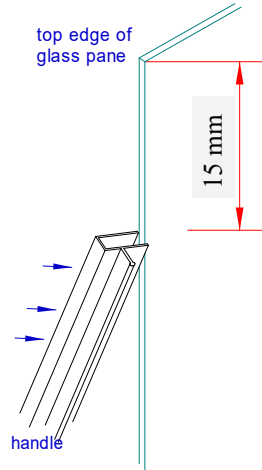
# FITTING THE HANDLES

When fitting the handles, place the glass on a table or timber battens.  
**NEVER PLACE THE GLASS DIRECTLY ON CONCRETE OR SLABS**

## WARNING

If broken, toughened glass will fragment safely.  
 If the edges are knocked or chipped the glass will spontaneously fragment. This is a natural occurrence due to the toughening process. Care should be taken when moving or cleaning, not to damage the edge of the glass.  
 When placing the glass in the frame, ensure that the glass is securely placed in the runners before letting go of the glass.

1



First wipe the edge of the glass where the handle will fit with a wet cloth.

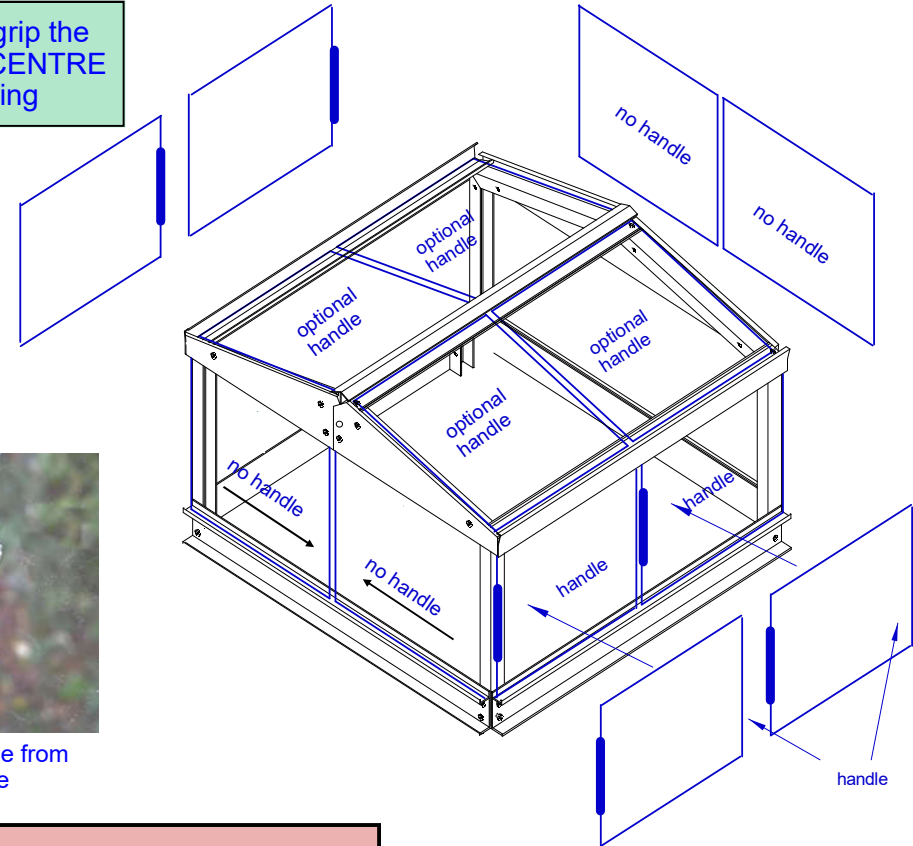
Then slide the handle over the edge of the glass, starting at the top corner of the handle.

Place the handle 15mm from the top edge of the glass.

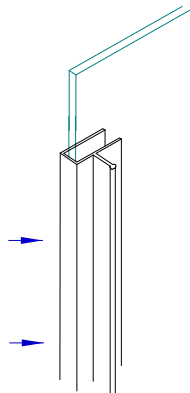
	FF3	SF3	EF3
Sheets requiring handles	4	6	8

GLASS	FF3	SF3	EF3
610mm x 610mm	12	16	20

**TIP:** Always grip the handle in the **CENTRE** when sliding



2



**TIP:** Do not try and slide the handle on from the top or bottom

Work the handle fully onto the glass.

**DO NOT** lift the glass by the handle

Always grip the handle in the **CENTRE** when sliding



Work on handle from side edge

**NOTE:** If you purchased a louvre vent, fit it now.

### FITTING HANDLES

Fit the handles to the side glass before fitting into the frame. Ensure the handles are always on the left hand side of the glass.

### FITTING THE GLASS

To fit the glass push the sheet into the deeper top channel, then lower into the bottom channel (E). Make sure the glass is firmly in the bottom channel before letting go.

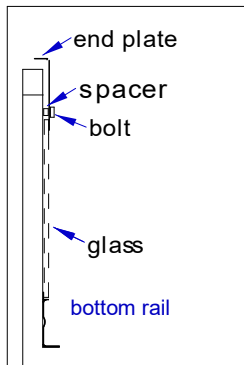
The main illustration shows the glass side by side for clarity. When putting the sheets in the frame, start at the left hand end. The glass panels overlap each other by approx 15mm - 30mm.

To open the frame the glass should slide over the adjacent pane. The channel is only wide enough to take two sheets of glass side by side.

Roof sheets will slide if additional ventilation is required, however access into the frame is via side glass sheets. Roof sheets have no handles (optional handles are available).

### END SHEETS

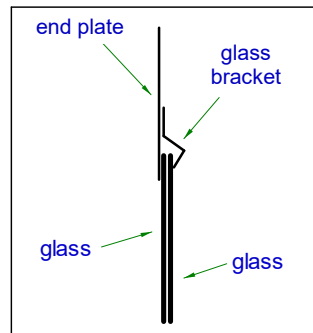
Slacken the four lower end plate bolts then gently slide the glass into place from the corner. The glass is held between the framework and the end plate (A) and photo (B) Then gently slide the other sheet in from the other corner. The two sheets will overlap behind the end bracket (C). The bolts on the end plates can then be gently tightened.



A. End glass detail



B Cold frame end glass fitting



C. End glass overlap detail



C. Glass bracket



E. Fitting the glass

GLASS STICKS TOGETHER	<p>This is normally due to the handles not being put on the correct side of the glass. See page 10 for details of where the handles should be fitted to the glass.</p> <p>The top glass will not slide when wet, unless optional full length glass handles are fitted.</p>
HANDLES COME OFF	<p>As the handles are of a clamp design they can be pulled off if too much force is applied to them. If the glass has stuck together due to moisture, or if the glass does not slide smoothly, this will strain the handle and cause it to come off.</p> <p>Ensure that the channels and the glass are kept clean at all times to minimise the sliding force needed. Candle wax applied to the channel and the underside of the glass will also help the sliding action. Also check that the handles have been fitted correctly. See page 10 for full instructions.</p> <p>If handles come off frequently either purchase some new handles from Access or use a glue such as 'liquid nails' or 'no more nails' to permanently glue the handles to the glass.</p>

**PERIODIC MAINTENANCE** Every Spring take the glass out of the greenhouse and wash glass and framework with warm soapy water. When inserting the glass, always check that the glass is properly seated in its top and bottom channels before letting go of the sheet.

**CHECK THE TIGHTNESS** of all bolts regularly, especially in very windy areas or powder coated frames.

**CROP ROTATION** Suggestions for suitable crops and sowing dates given in the free Access Growing Guide

**VENTILATION** In cold weather gentle ventilation can be given by sliding the front sheets of glass to give 2-3" (5-8cm) gap at each corner. In warmer weather allow a gap on the top sheets as well. In very hot weather open all the sheets of glass. To ensure that the correct temperature is maintained use a thermometer inside the greenhouse. You can completely remove the top sheets in summer.

**GALES** The greenhouse must be kept fully closed in rough weather.

**GLASS CHANNELS** Ensure that this is kept free from debris and allows the glass to slide smoothly. Periodically lubricate the running edge of the glass with a wax candle.

**SNOW** If snow is very heavy - avoid letting it build up on the roof

**OPTIONAL SHELVING** Stand pot plants on saucers, or use optional shelf covers which incorporate a layer of capillary matting to absorb excess water when watering. Alternatively, stand the pots in empty seed trays.

**SITING** Site on the sunniest place available. Anything from East through South to West is suitable. If it has to face North, don't despair, it will be warmer in than outside!

**REDUCING THE LENGTH** If it is just too long for your ideal spot, it can be shortened. Re-drill the holes at one end of the rails - moving them in by the amount you need to remove. Hacksaw off the surplus aluminium and shorten the shelf rods. The glass will merely overlap more - don't try to cut toughened glass!