

ASSEMBLY INSTRUCTIONS

4ft Value Half Wall Frame & Half Cold Frame

CONTENTS

Main aluminium parts	P1
End sections	P2
Adding the long rails	P3
End plates	P4
Squaring & fixing	P5
Wall & floor problems (FW3)	P6
Fitting the back rails (FH3)	P7
Ground fixing (FH3)	P8
Shelving (optional for FH3)	P9
Fitting liner	P10
Fitting handles	P11
Fitting glass	P12
Troubleshooting	P13
Notes on using the frame	P14

Model FW3 shown



Model FH3 shown

Video instructions:
Helpful video clips are available at
www.garden-products.co.uk/instructions

Can we improve?
We hope that you find our instructions clear and concise. If you have any suggestions for improvements email:
instructionfeedback@garden-products.co.uk

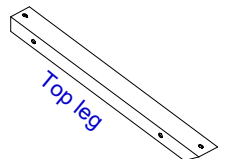
Please keep all packaging until installation is complete

Assembly instructions for models: FW3 (Half Wall Frame)
FH3 (Half Cold Frame)

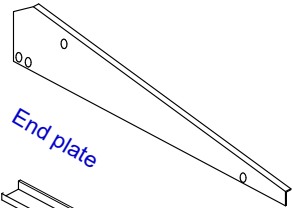
Access Garden Products
Crick
NORTHAMPTON
NN6 7XS

Tel: 01788 822301
Fax: 01788 824256
sales@garden-products.co.uk
www.garden-products.co.uk

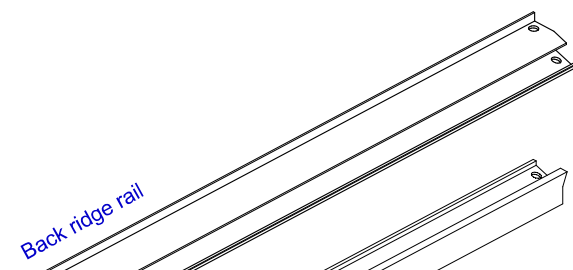
Date: June 23 Rev 14 File: W3_H3



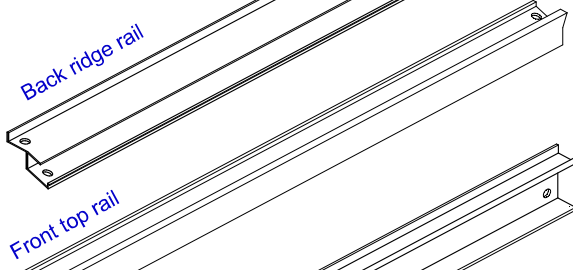
Top leg



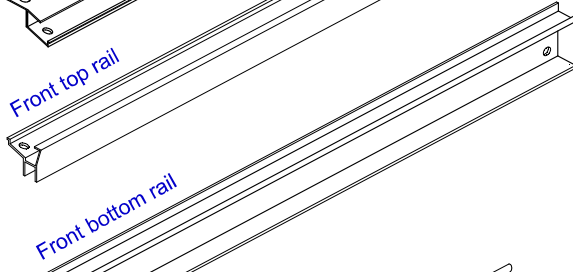
End plate



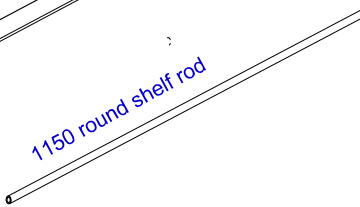
Back ridge rail



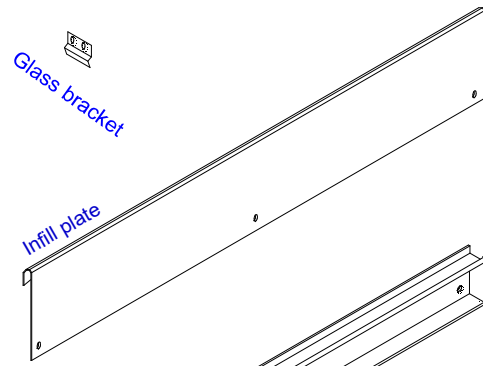
Front top rail



Front bottom rail



1150 round shelf rod



Glass bracket

Infill plate

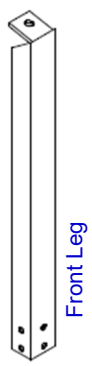


Back bottom rail

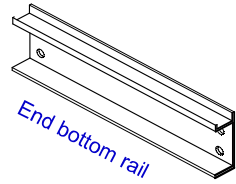
**Back Parts
GROWHOUSE/
HALF COLD FRAME
ONLY**



Back Leg



Front Leg



End bottom rail

Leg parts	
Back leg	2
Front leg	2
Top leg	2

End parts	
End plate	2
Bottom rail	2

Long parts	FW3	FH3
Ridge rail	1	1
Top rail	1	1
Bottom rail	1	2
Infill plate	0	1
1150mm shelf rod	5	0

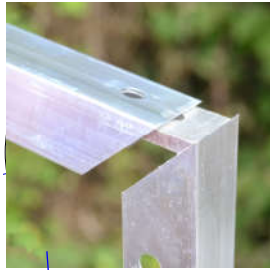


Powder Coated models only
These have washers supplied to protect the coating - refer to instructions in washer pack

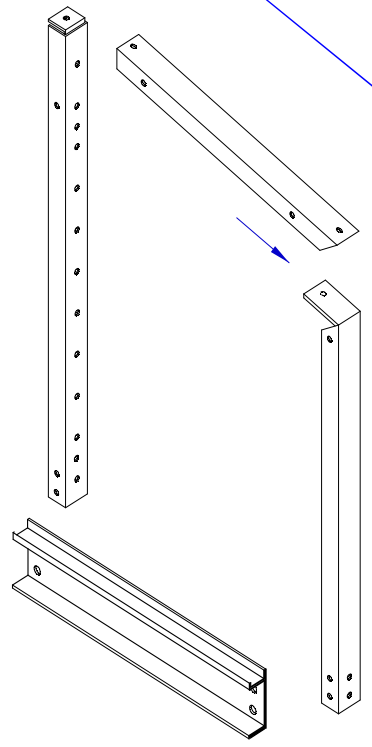
Additional Items		FW3	FH3
Handle 350mm		2	2
Handle 585mm		2	2
Screw pack	SCREW-H4	1	0
Screw pack	SCREW-FB3	0	1
Shelf pack	S-V	1	0
Black channel liner	W65-5M	1	1
White channel liner	W66-2M	1	1
Allen Key	SCREW PK	1	1



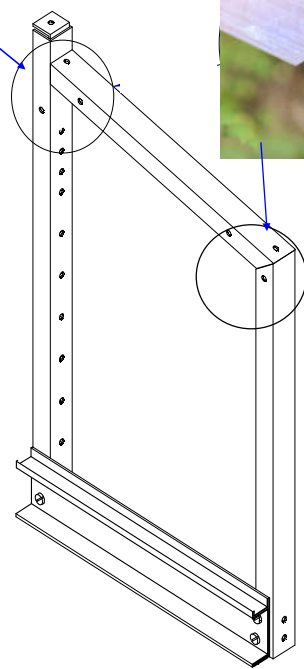
Top leg rests against the **FLAT FACE** of back leg—it is not bolted to the back leg



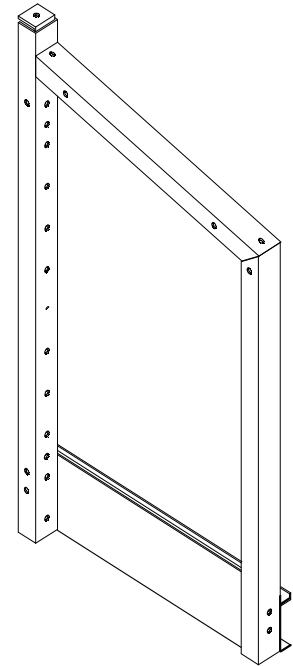
Slide the tongue of the front leg into the groove on the top leg.



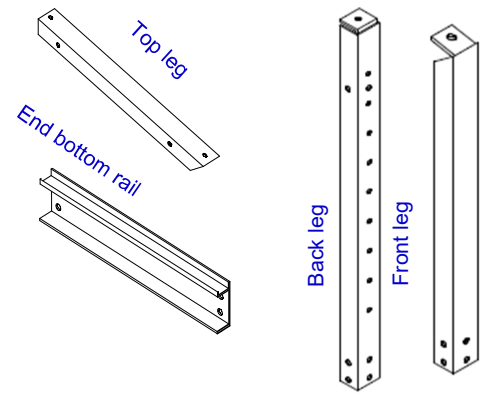
EXPLODED VIEW



FINISHED LEFT HAND END



FINISHED RIGHT HAND END



YOU ALSO NEED:

10mm BOLTS	4
NUTS	4
Located in pack: SCREW-H4 OR SCREW-FB3	

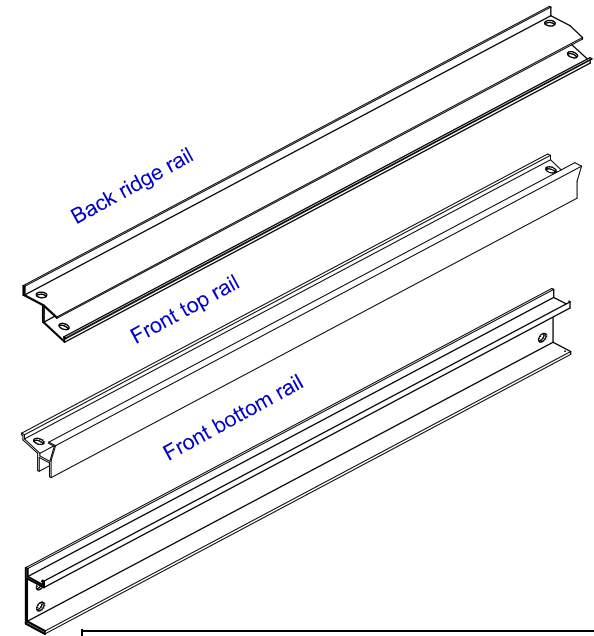
PARTS NEEDED FOR EACH END

- 1** Make up the LEFT hand end as shown.
- 2** Make up the RIGHT hand end as shown

DO NOT FULLY TIGHTEN BOLTS AT THIS STAGE

END SECTIONS

PARTS NEEDED



YOU ALSO NEED:

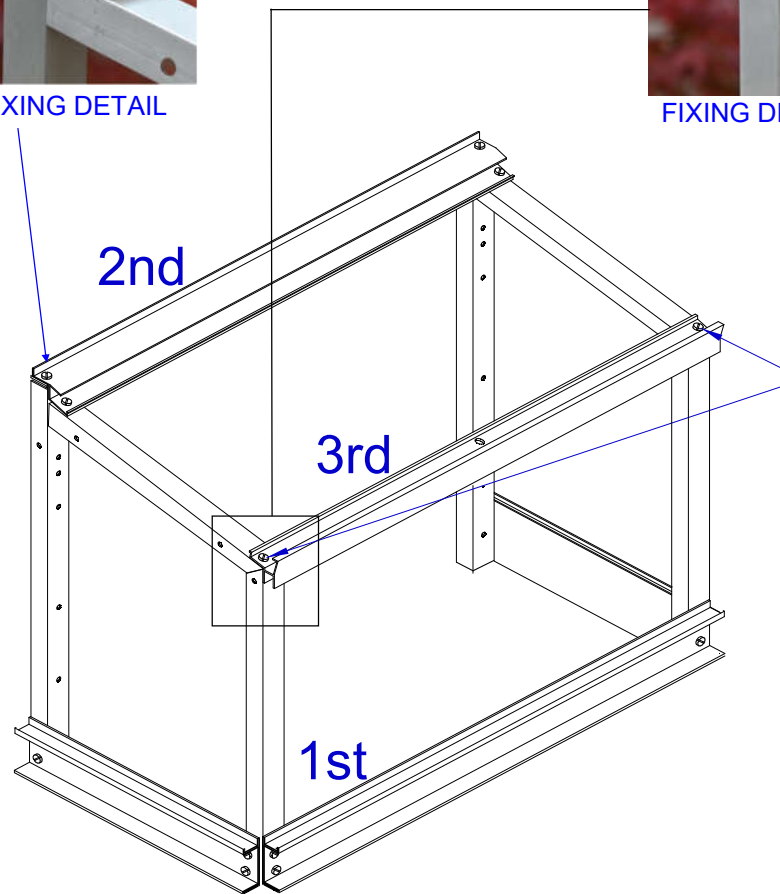
10mm BOLTS	8
20mm BOLTS	2
NUTS	10
Located in pack: SCREW-H4 OR SCREW-FB3	



FIXING DETAIL



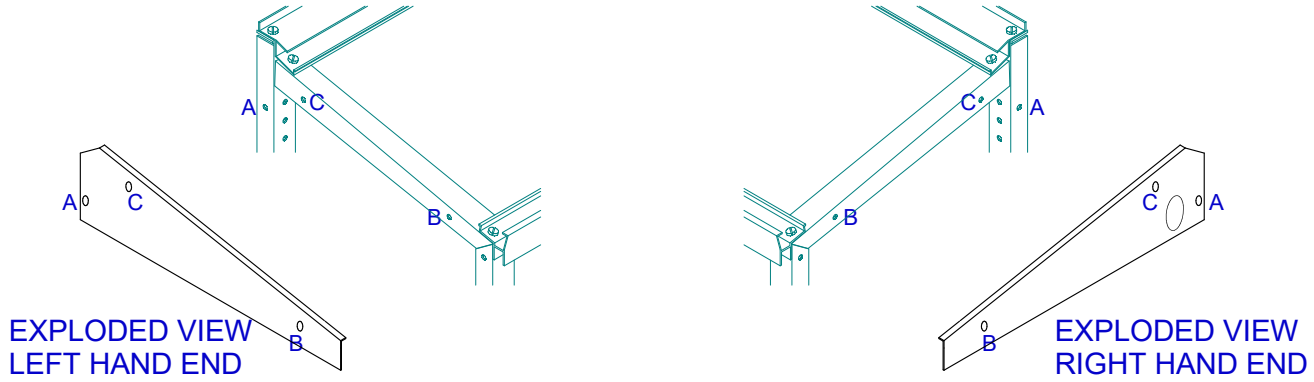
FIXING DETAIL



USE THE TWO 20MM BOLTS WITH THIS RAIL

1 Bolt on the rails in the order shown.

DO NOT FULLY TIGHTEN BOLTS AT THIS STAGE



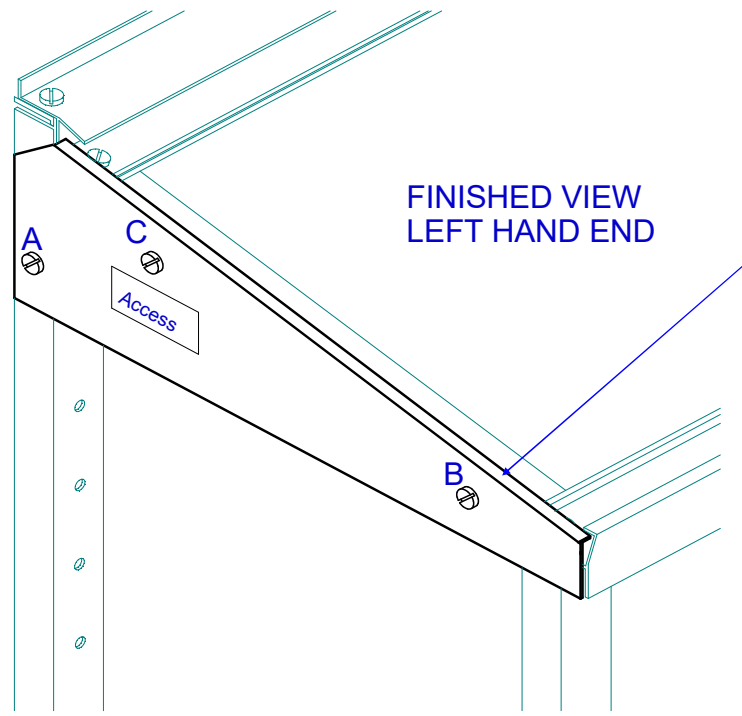
PARTS NEEDED FOR EACH END

YOU ALSO NEED:

10mm BOLTS	3
NUTS	3
3mm WHITE SPACER	2
BLACK GROMMET	1
Located in pack: SCREW-H4 OR SCREW-FB3	



THE END PLATE FITS UNDER THE RIDGE RAIL LIP



FINISHED VIEW LEFT HAND END



THE END PLATE FITS UNDER THE FRONT RAIL LIP

- 1 **Remove any plastic protective film** from the end plates and put 'Access' sticker on.
- 2 Bolts 'A' and 'B' go through the end plate THEN have a 3mm spacer fitted BEFORE fitting to the frame.
- 3 Bolt 'C' only goes through the end plate and the frame.
- 4 Repeat for the other end.
- 5 One end plate will have a large hole in. Fit the black grommet into the hole.

DO NOT FULLY TIGHTEN BOLTS AT THIS STAGE

END PLATES

1

SQUARING THE FRAME

Use a piece of glass to square the unit up as shown. Slacken the nuts if necessary to move the framework into a square position.

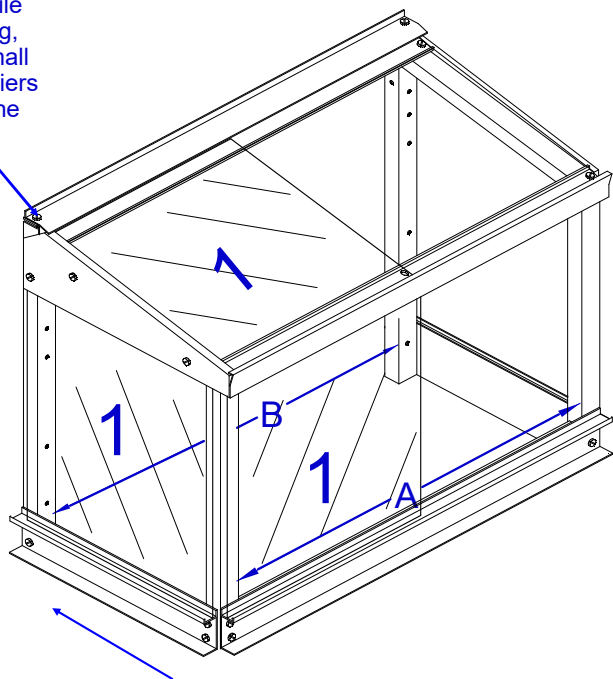
Page 12 gives instructions on how to fit the glass into the frame.

IT IS ESSENTIAL TO GET THE FRAME SQUARE.

Ensure distance 'A' is equal to distance 'B' otherwise the shelves will not fit.

Remove glass after squaring.

If this nut turns while tightening, use a small pair of pliers to hold the nut



To check the squareness of the end, slide end glass in from front corner, slacken end plate bolts if necessary

2

Once the frame is completely square fully tighten up all the nuts and bolts.

FULLY TIGHTEN ALL BOLTS EXCEPT THE END PLATE BOLTS, otherwise the framework will quickly work loose.

PERIODICALLY CHECK THE TIGHTNESS OF THE BOLTS

IF YOU HAVE A COLD FRAME NOW GO TO PAGE 7

3

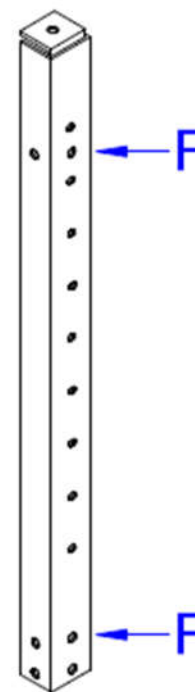
FIXING TO A WALL (WALL FRAME ONLY)

Two screws are used in each back leg (NOT SUPPLIED). We recommend 2" No. 8 or No. 10 woodscrews.

When fixing to a wall, rawlplugs will be required

Counting from the floor the screws go in the holes marked 'F'.

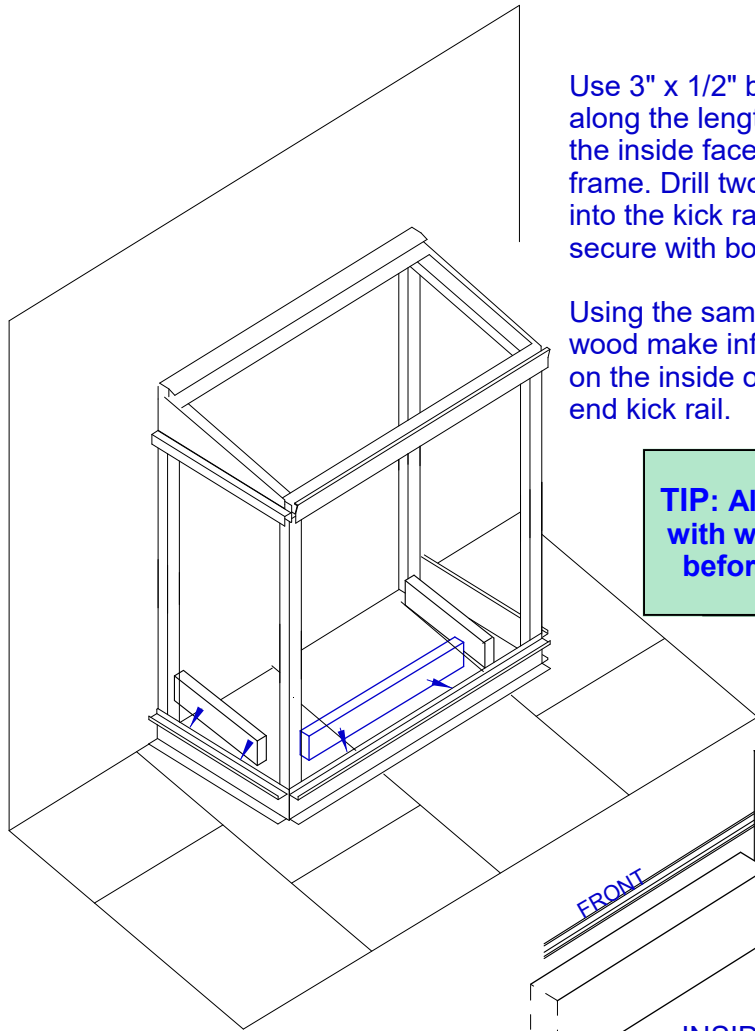
2 & 11



Back leg

WEAR APPROPRIATE SAFETY EQUIPMENT WHEN DRILLING OR HAMMERING

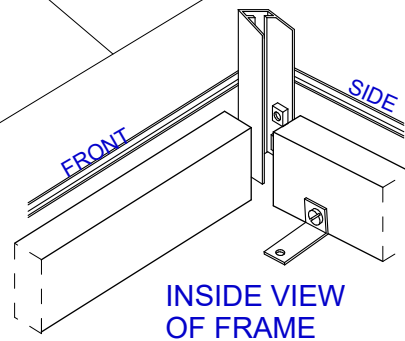
FLOOR FALLING AWAY



Use 3" x 1/2" batton along the length of the inside face of the frame. Drill two holes into the kick rail to secure with bolts or screws.

Using the same size wood make infill pieces on the inside of each end kick rail.

TIP: Always treat timber with wood preservative before fixing in place

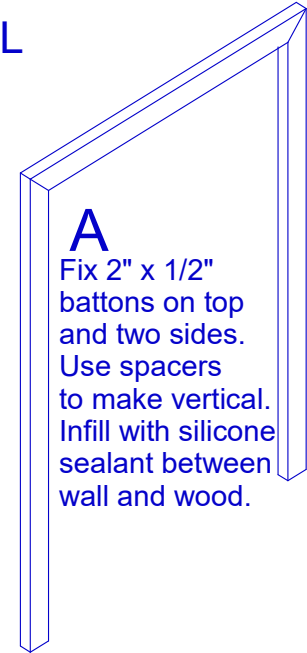


Screw or bolt 'L' shaped brackets to the wood and then to the floor

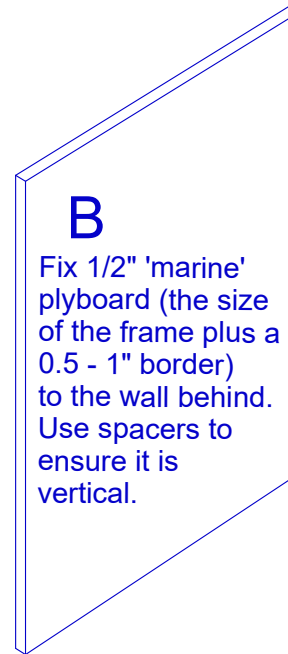
ROUGH OR SLOPING WALL

To solve problems with walls choose option A or B below.

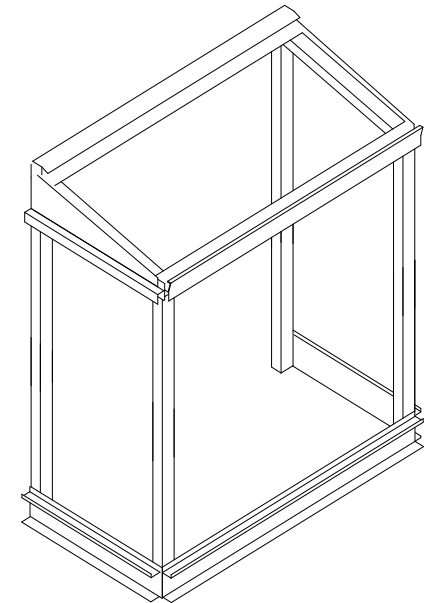
Fit the frame to the woodwork using 1.25" wood screws. (not supplied)
Seal around the inside of the frame with silicone sealant when finished.



A
Fix 2" x 1/2" battons on top and two sides. Use spacers to make vertical. Infill with silicone sealant between wall and wood.

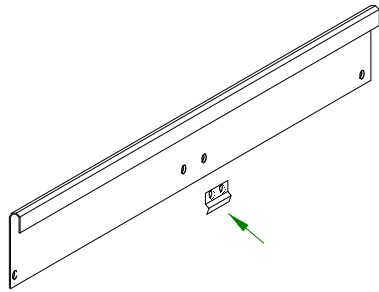


B
Fix 1/2" 'marine' plyboard (the size of the frame plus a 0.5 - 1" border) to the wall behind. Use spacers to ensure it is vertical.



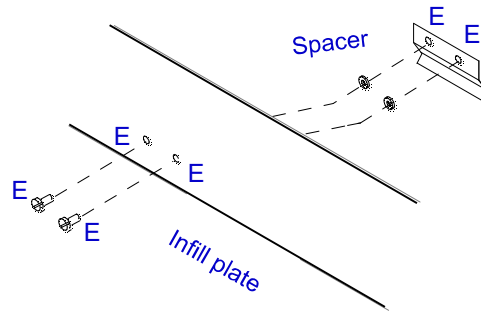
IF YOU HAVE A WALL FRAME MODEL NOW GO TO PAGE 9

2

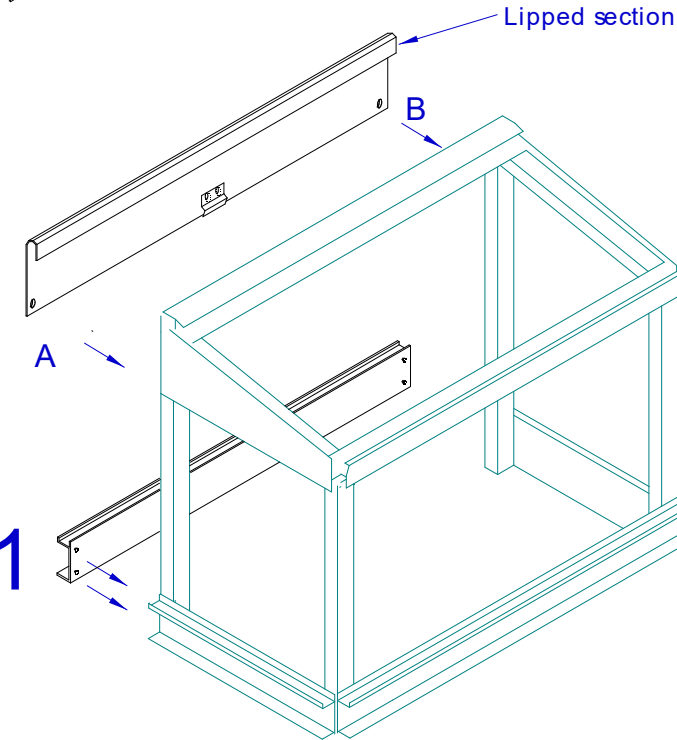


2

Remove the plastic protective film from the infill plate. 10mm bolts 'E' goes through the infill plate from the outside. Put a 3mm white spacer on each bolt before pushing on the glass bracket, then fit the nut. Glass bracket is **INSIDE** frame and will clamp onto the glass once the glass is in place.



3



1

Bolt on back bottom rail. Push long bolts through the back bottom rail and back leg, before passing through the leg and fitting nuts on the inside of the frame.



Completed bracket inside Growhouse



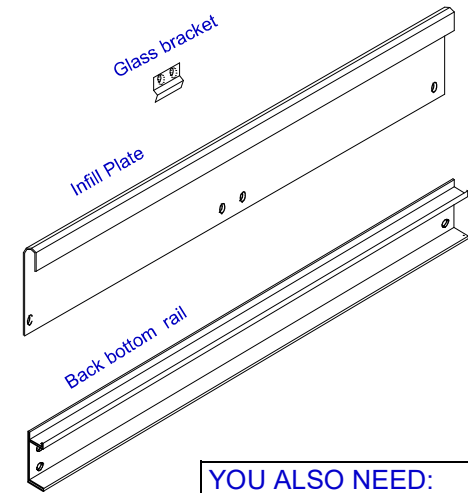
Nylon spacers on infill plate

3

Place the lipped section over the upstand on the back rail. Push a long bolt through hole A, then fit a white 3mm spacer and a 20mm nylon spacer. Push the bolt into the frame and fit a nut on the inside of the frame. Repeat for hole B at the other end . **Do not overtighten these bolts.**

FULLY TIGHTEN BOTTOM RAIL BOLTS ONLY

PARTS NEEDED



YOU ALSO NEED:

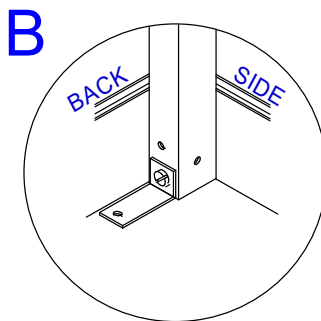
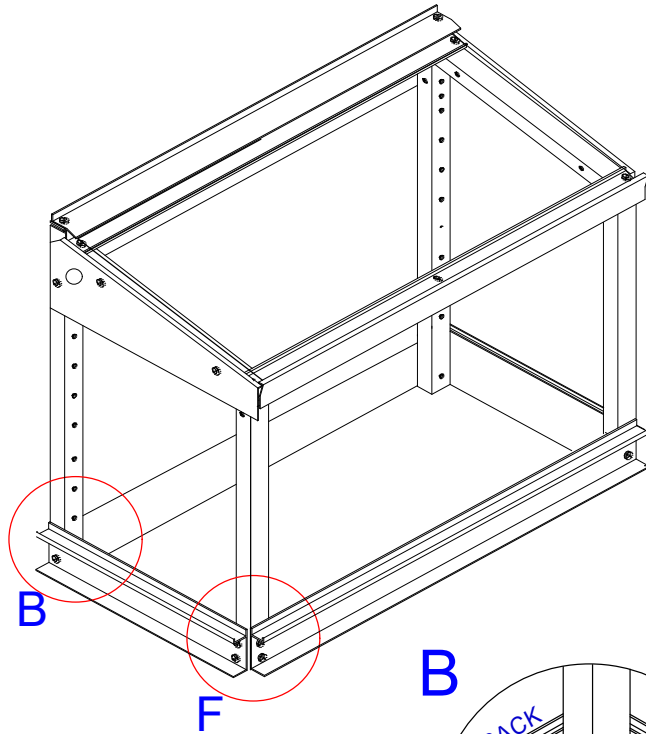
10mm BOLTS	2
30mm BOLTS	6
NUTS	8
20mm NYLON SPACER	2
3mm WHITE SPACER	4
Located in pack: SCREW-FB3	

1

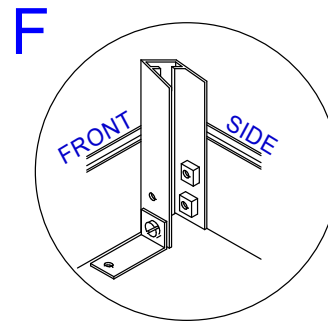
FIXING TO FLOOR (OPTIONAL KIT)

Fit the 'L' brackets to the front legs using a nut and bolt.

Turn the framework upside down and fit the 'L' brackets to the back legs using a nut and bolt.



INSIDE VIEW OF BACK LEG SHOWING FIXING



INSIDE VIEW OF FRONT LEG SHOWING FIXING

WEAR APPROPRIATE SAFETY EQUIPMENT WHEN DRILLING OR HAMMERING

PARTS NEEDED

Ground Fixing Pack FR-AKG (Optional)

2

Place the framework in its final position and drill through the bracket with a 6mm masonry drill bit, to a depth of 35mm. Insert the red rawplug, through the bracket and into the concrete.

Using a woodscrew, screw through the 'L' bracket and into the rawplug.

Repeat for other brackets.



Completed front bracket

GROUND FIXING KIT IS RECOMMENDED IN WINDY AREAS

FW3 and FB3 models have 1 standard + 1 wide full length shelf.

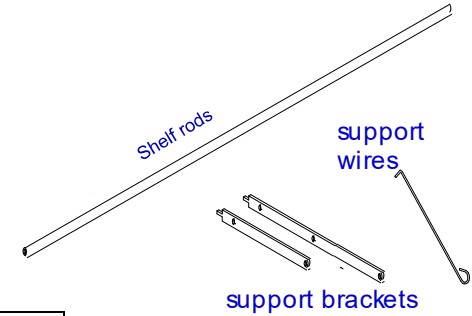
FITTING

- 1 Lightly tap rawlplug inserts into both ends of the tubular aluminium shelf rods with a hammer.
- 2 Slide the two hooks onto the tube, as shown then screw the support bracket on at each end.
- 3 Fit the other rods to the shelf.



Hook support wire into top hole, then swing shelf upward into the adjacent hole below.

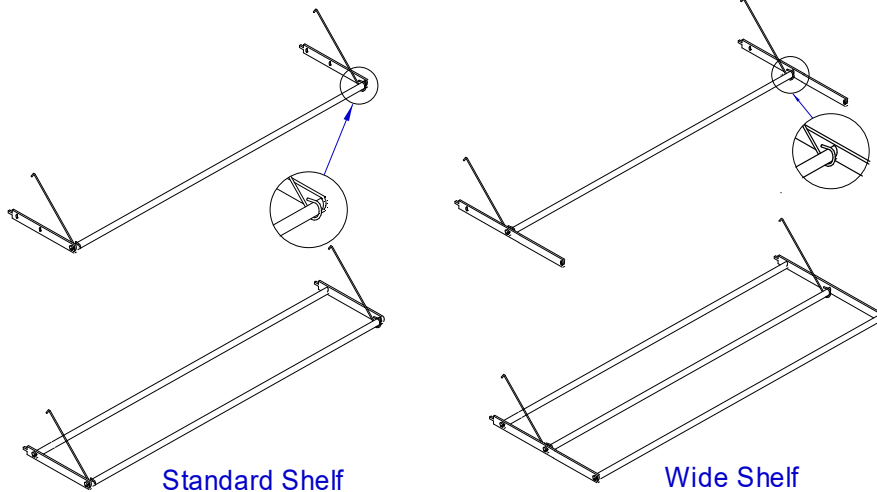
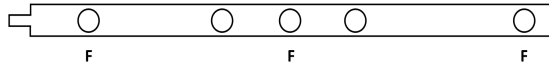
PARTS NEEDED



YOU ALSO NEED PER SHELF ROD:

RAWLPLUGS	2
1" WOOD SCREW	2
Located in packs: S-V	

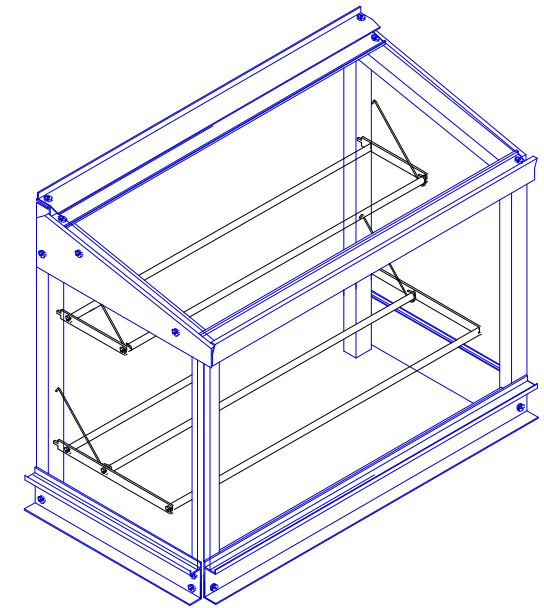
NEW 5-hole strap
Fit the rods to the holes 'F'



When the shelves are not needed they can either be removed or they can be unhooked from the lower fixing hole and hung flat against the back using the wires.

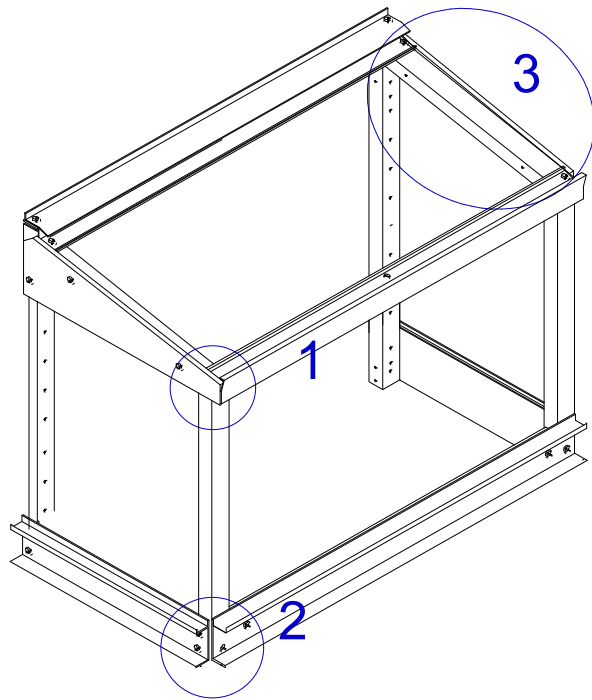


Bottom shelf hung flat against the back

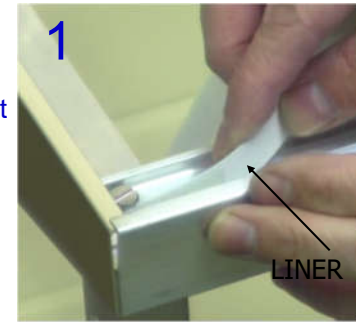
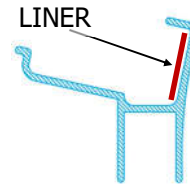


Note: A Pozidrive screwdriver will fit the screws best

FITTING THE CHANNEL LINER

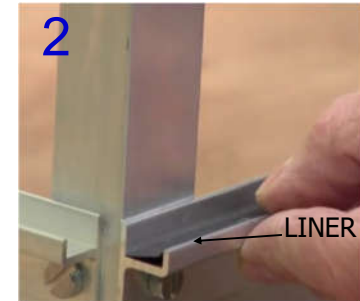


1 The white liner (W66-2M) fits on the inside vertical face of top FRONT rail only. This is a loose fit so strips of double sided tape are included to secure it until the glass is in place.

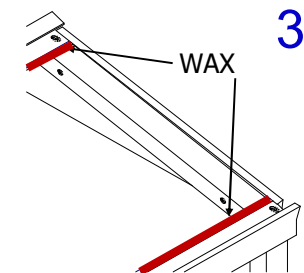


2 The black plastic liner (W65-5M) goes in the FRONT bottom rail only. Using the strips of double sided tape press liner down so that it LIES FLAT at the bottom of the channel - trim with a knife if necessary.

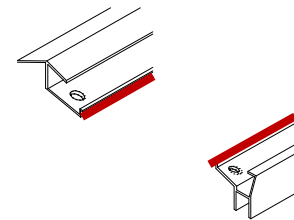
THE DOORS WILL NOT SLIDE PROPERLY IF THE LINER IS NOT FLAT



3 To make the top glass slide more easily, rub candle wax onto the glass bearers. Also wax the black and white liners.



TIP: Before sticking the tape, clean the aluminium of any oil traces to promote adhesion.



FITTING THE HANDLES

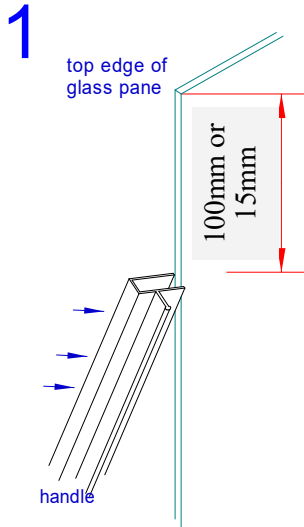
When fitting the handles, place the glass on a table or timber battens.
NEVER PLACE THE GLASS DIRECTLY ON CONCRETE OR SLABS

WARNING

If broken, toughened glass will fragment safely.

If the edges are knocked or chipped the glass will spontaneously fragment. This is a natural occurrence due to the toughening process. Care should be taken when moving or cleaning, not to damage the edge of the glass.

When placing the glass in the frame, ensure that the glass is securely placed in the runners before letting go of the glass.



First wipe the edge of the glass where the handle will fit with a wet cloth.

Then slide the handle over the edge of the glass, starting at the top corner of the handle.

For short handles, place the handle 100mm from the top edge of the glass. For the long roof handle, place the handle 15mm from the top edge.

Sheets requiring short handles	2
Sheets requiring long handles	2

GLASS	FW3	FH3
610mm x 610mm	6	8

TIP: Always grip the handle in the **CENTRE** when sliding



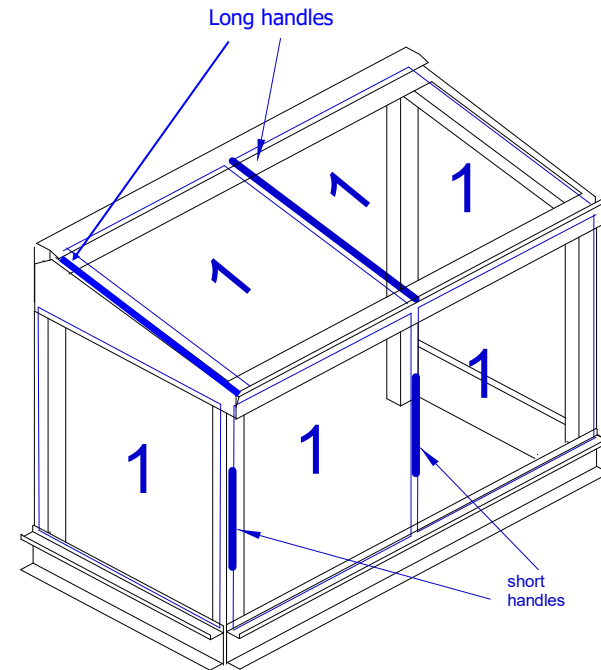
Work on handle from side edge

TIP: Do not try and slide the handle on from the top or bottom

Work the handle fully onto the glass.

DO NOT lift the glass by the handle

Always grip the handle in the **CENTRE** when sliding



End and back glass has no handles

FITTING HANDLES

Fit the handles to the glass before fitting into the frame. Ensure the handles are always on the left hand side of the glass.

FITTING THE GLASS (FRONT AND TOP)

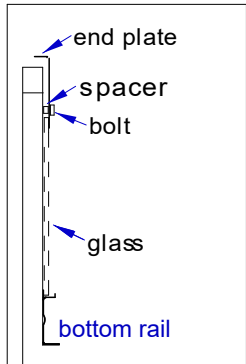
To fit the glass push the sheet into the deeper top channel, then lower into the bottom channel (C). Make sure the glass is firmly in the bottom channel before letting go. Always start glazing at the left hand end and overlap each subsequent pane by 1" (2cm)

END GLASS

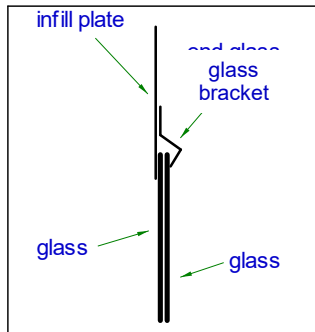
Slacken the two lower end plate bolts then gently slide the glass into place from the front corner. The glass is held between the framework and the end plate (A). The bolts on the end plates can then be carefully tightened. Fit a ring wedge (D) into the bottom glass channel.

BACK GLASS—HALF COLD FRAME ONLY

Slacken the four end plates bolts and gently slide the first sheet in from the rear corner. Gently slide the other sheet in from the other end. The two sheets will overlap in the centre, behind the glass bracket (B). Carefully retighten the bolts. Fit a ring wedge (D) into the bottom glass channel - 1 per sheet.



A. End glass detail



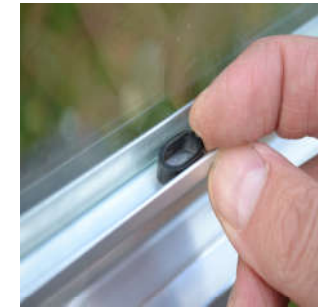
B. Back glass overlap detail



B. Glass bracket



C. Fitting the glass



D. Ring wedge
(Located in pack: SCREW-FB3)

GLASS STICKS TOGETHER	This is normally due to the handles not being put on the correct side of the glass. See page 11 for details of where the handles should be fitted to the glass.
HANDLES COME OFF	<p>As the handles are of a clamp design they can be pulled off if too much force is applied to them. If the glass has stuck together due to moisture, or if the glass does not slide smoothly, this will strain the handle and cause it to come off.</p> <p>Ensure that the channels and the glass are kept clean at all times to minimise the sliding force needed. Candle wax applied to the channel and the underside of the glass will also help the sliding action. Also check that the handles have been fitted correctly. See page 11 for full instructions.</p> <p>Sometimes the soft plastic gets a layer of dirt on it that prevents it from gripping the glass. If this is the case the handle will just slide on and slide off with almost no grip. If the handle comes off easily, take the handle off and wipe the two strips of very soft plastic with a damp cloth.</p> <p>If handles come off frequently either purchase some new handles from Access or use a glue such as 'liquid nails' or 'no more nails' to permanently glue the handles to the glass.</p>
SHELVES WILL NOT FIT INTO THE BACK LEGS	<p>Check that the back legs have been fitted the right way round - see page 2.</p> <p>Check that dimension A = B - see page 5.</p>
FRAMEWORK MOVES AND GLASS FALLS OUT	<p>If the nuts and bolts haven't been properly tightened, the framework will quickly become loose and move, even in light winds. In strong winds the glass will fall out. Remove the glass, re-square the frame, then fully tighten all of the nuts and bolts.</p>

PERIODIC MAINTENANCE Every Spring take the glass out of the greenhouse and wash glass and framework with warm soapy water. When inserting the glass, always check that the glass is properly seated in its top and bottom channels before letting go of the sheet.

CHECK THE TIGHTNESS of all bolts regularly, especially in very windy areas or powder coated frames.

CROP ROTATION Suggestions for suitable crops and sowing dates given in the free Access Growing Guide

VENTILATION In cold weather gentle ventilation can be given by sliding the front sheets of glass to give 2-3" (5-8cm) gap at each corner.

In warmer weather allow a gap on the top sheets as well. In very hot weather open all the sheets of glass. To ensure that the correct temperature is maintained use a thermometer inside the greenhouse. You can completely remove the top sheets in summer.

GALES The greenhouse must be kept fully closed in rough weather.

GLASS CHANNELS Ensure that this is kept free from debris and allows the glass to slide smoothly. Periodically lubricate the running edge of the glass with a wax candle.

SNOW If snow is very heavy - avoid letting it build up on the roof

SHELVING Stand pot plants on saucers, or use optional shelf covers which incorporate a layer of capillary matting to absorb excess water when watering. Alternatively, stand the pots in empty seed trays.

SITING Site on the sunniest place available. Anything from East through South to West. is suitable. If it has to face North, don't despair, it will be warmer in than outside! If you can fix to a brick or stone wall, you will get extra heat storage during the day.

REDUCING THE LENGTH If it is just too long for your ideal spot, it can be shortened. Re-drill the holes at one end of the rails - moving them in by the amount you need to remove. Hacksaw off the surplus aluminium and shorten the shelf rods. The glass will merely overlap more - don't try to cut toughened glass!