

ASSEMBLY INSTRUCTIONS

Value Wall Frame, Growhouse & Tomato House

CONTENTS

Main aluminium parts	P1
End sections	P2
Adding the long rails	P3
End plates	P4
Squaring	P5
Fitting the back rails (Growhouse)	P6
Fitting the centre staging rails (optional)	P7
Mist Watering (optional)	P8
Ground fixing (Growhouse)	P9
Fixing to Wall (Wall Frame)	P10
Shelving	P11
Fitting liner	P12
Fitting handles	P13
Fitting glass	P14
Troubleshooting	P15
Notes on using the frame	P16

Please keep all packaging until installation is complete

Model FWG shown



Model FBG shown

Video instructions:

An assembly video for this model is available at

www.garden-products.co.uk/instructions

Can we improve?

We hope that you find our instructions clear and concise. If you have any suggestions for improvements email:

instructionfeedback@garden-products.co.uk

Access Garden Products
Crick
NORTHAMPTON
NN6 7XS

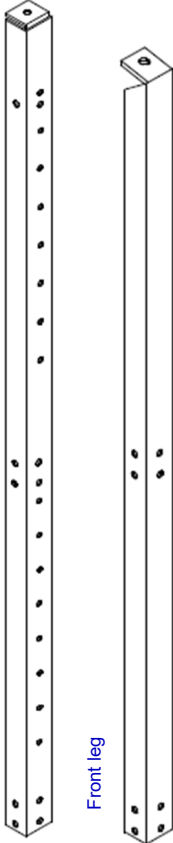
Tel: 01788 822301
Fax: 01788 824256
sales@garden-products.co.uk
www.garden-products.co.uk

Assembly instructions for models: FWG (Wall Frame)
FBG (Growhouse) FBGT (Tomato House)

Date: Oct 2023 Rev 15 File: WG_BG

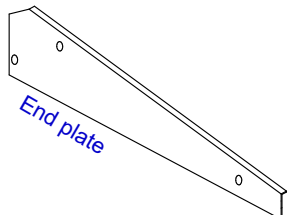


Top leg

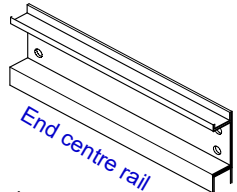


Back Leg

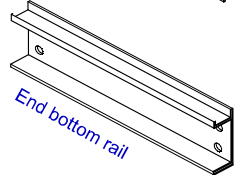
Front leg



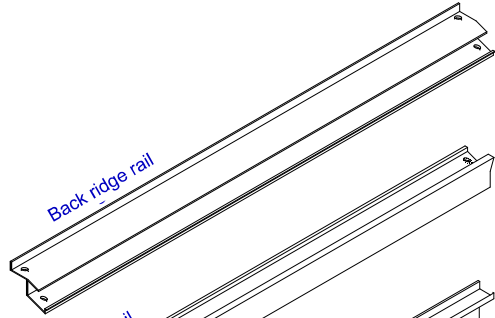
End plate



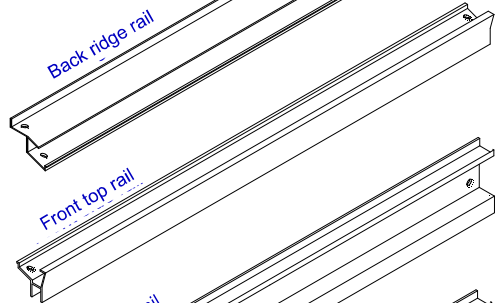
End centre rail



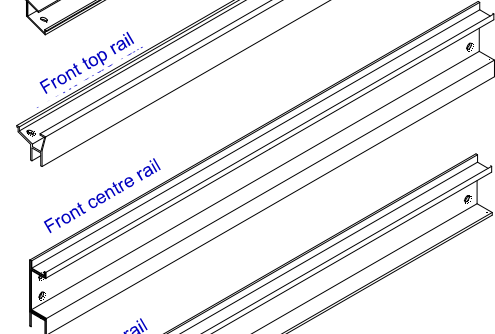
End bottom rail



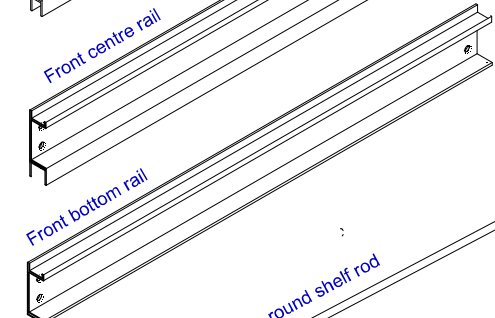
Back ridge rail



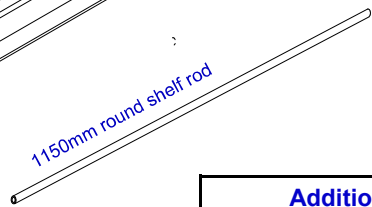
Front top rail



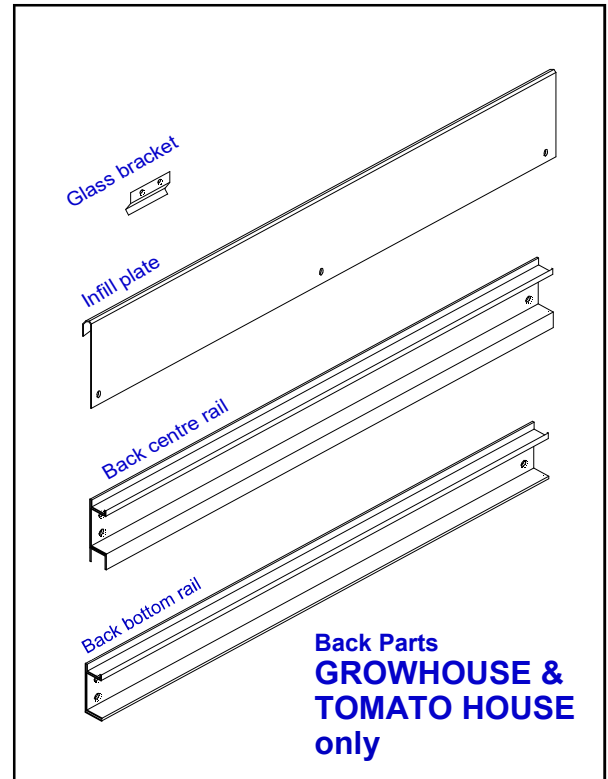
Front centre rail



Front bottom rail



1150mm round shelf rod



Glass bracket

Infill plate

Back centre rail

Back bottom rail

Back Parts
**GROWHOUSE &
TOMATO HOUSE
only**

Leg parts	
Back leg	2
Front leg	2
Top leg	2

End parts	
End plate	2
Centre rail	2
Bottom rail	2

Long parts	FWG	FBG	FBGT
Ridge rail	1	1	1
Top rail	1	1	1
Centre rail	1	2	2
Bottom rail	1	2	2
Infill Plate	0	1	1
1150mm shelf rod	10	10	0

Additional Items		FWG	FBG	FBGT
Handle 350mm		4	4	4
Screw pack	SCREW-H5	1	1	1
Screw pack	SCREW-H8	0	1	1
Shelf pack	S-V	2	2	0
Ground fixing kit	FR-AKG	0	1	1
Black channel liner	W65-5M	1	1	1
White channel liner	W66-2M	1	1	1
Allen Key	SCREW-H5	1	1	1

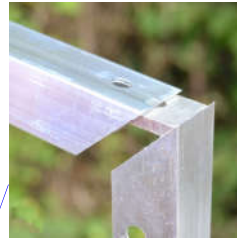


Note: if optional deluxe upgrade, mist watering or centre staging ordered - these parts will be in separate packs.

Powder Coated models only
These have washers supplied to protect the coating - refer to instructions in washer pack



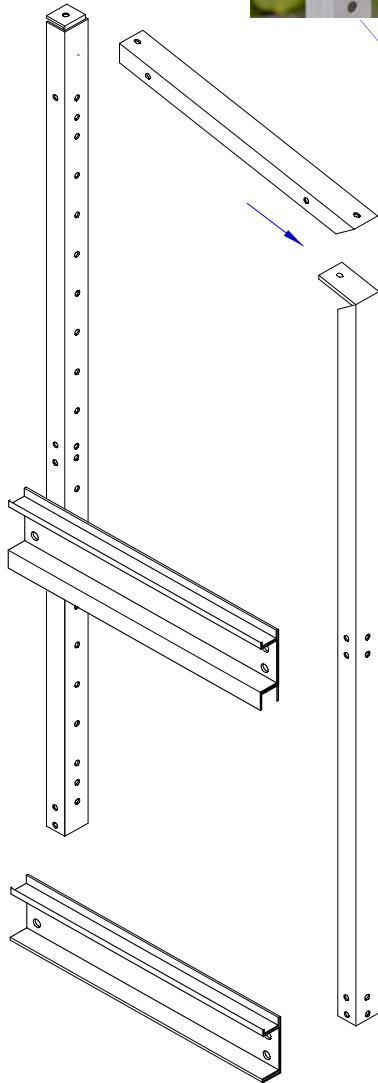
Top leg rests against the **FLAT FACE** of back leg—it is not bolted to the back leg



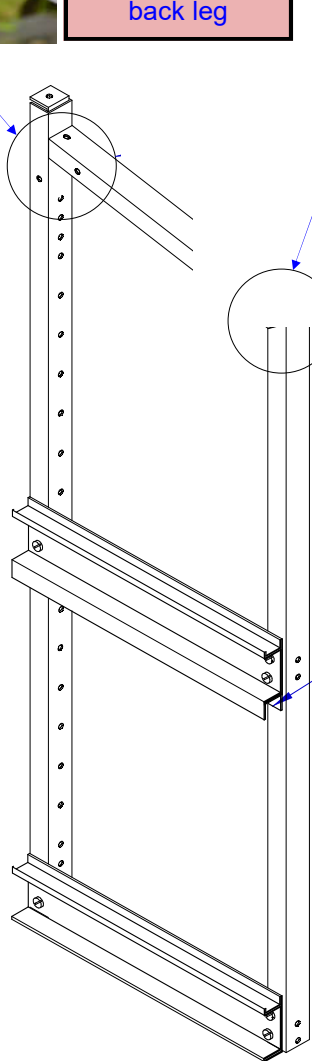
Slide the tongue of the front leg into the groove on the top leg.



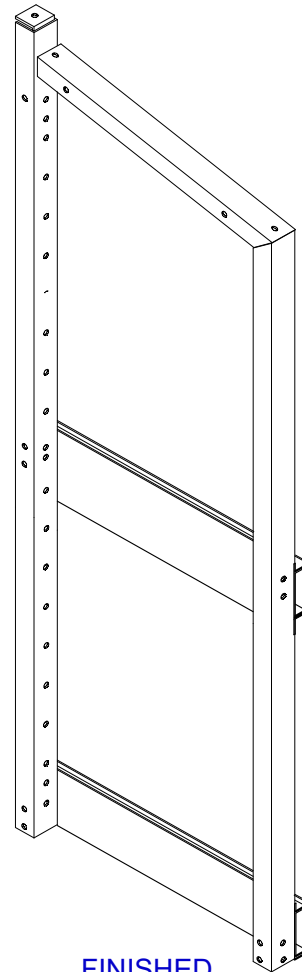
DEEPER CHANNEL AT BOTTOM



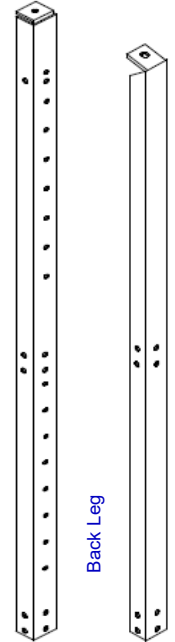
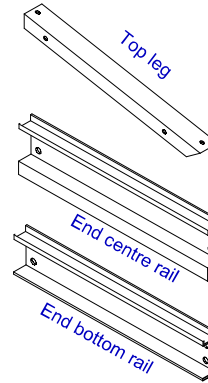
EXPLODED VIEW



FINISHED LEFT HAND END



FINISHED RIGHT HAND END



YOU ALSO NEED:

10mm BOLTS	8
NUTS	8
Located in pack: SCREW-H5	

PARTS NEEDED FOR EACH END

- 1 Make up the LEFT hand end as shown.
- 2 Make up the RIGHT hand end as shown

DO NOT FULLY TIGHTEN BOLTS AT THIS STAGE

END SECTIONS

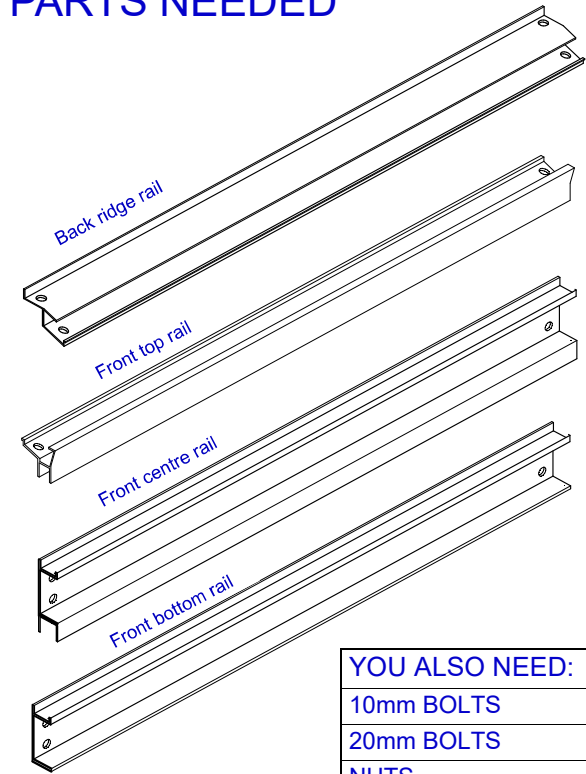


FIXING DETAIL



FIXING DETAIL

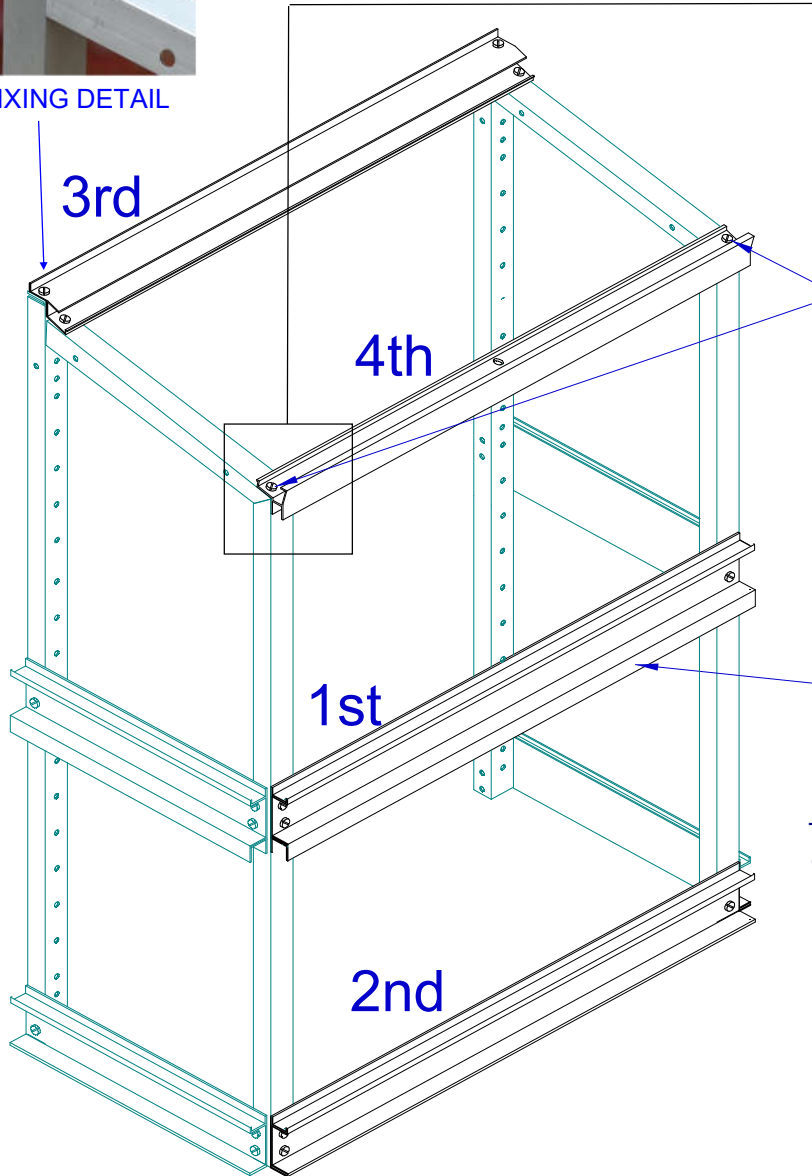
PARTS NEEDED



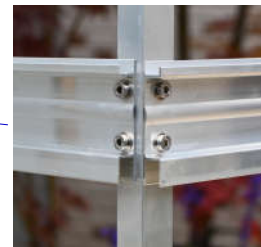
YOU ALSO NEED:	
10mm BOLTS	12
20mm BOLTS	2
NUTS	14
Located in pack: SCREW-H5	

1 Bolt on the rails in the order shown.

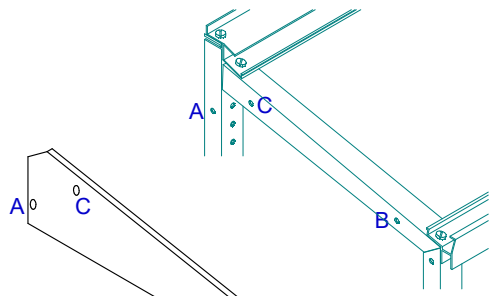
DO NOT FULLY TIGHTEN BOLTS AT THIS STAGE



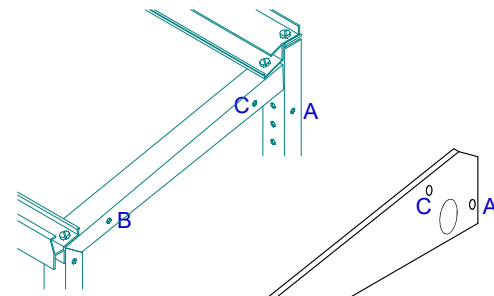
USE THE TWO 20MM BOLTS WITH THIS RAIL



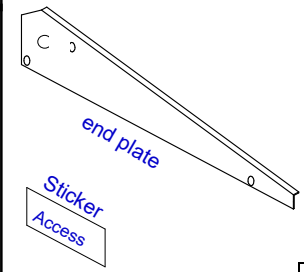
THE DEEPER CHANNEL GOES AT THE BOTTOM



EXPLODED VIEW
LEFT HAND END



EXPLODED VIEW
RIGHT HAND END



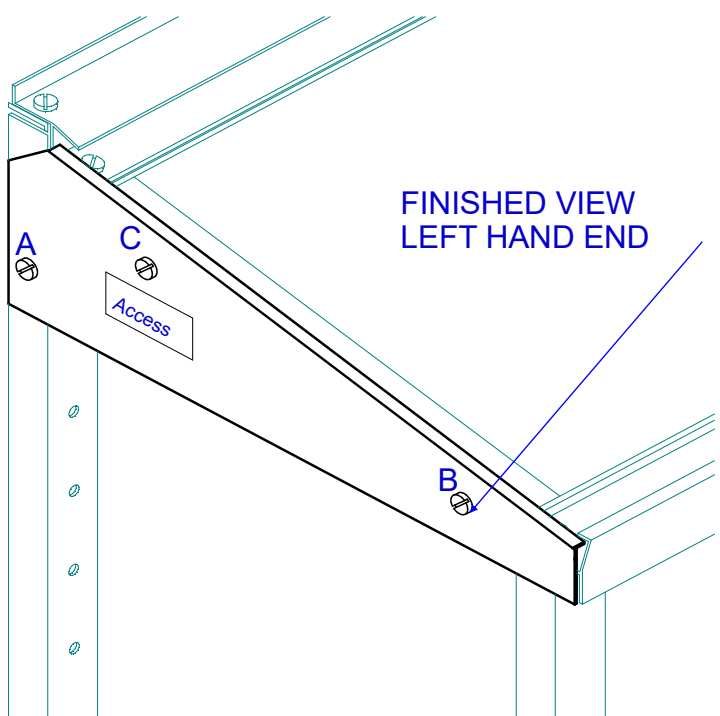
**PARTS NEEDED
FOR EACH END**

YOU ALSO NEED:

10mm BOLTS	3
NUTS	3
3mm WHITE SPACER	2
BLACK GROMMET	1
Located in pack: SCREW-H5	



THE END PLATE
FITS UNDER
THE RIDGE RAIL
LIP



FINISHED VIEW
LEFT HAND END



THE END PLATE
FITS UNDER THE
FRONT RAIL LIP

- 1** Remove any plastic protective film from the end plates and put 'Access' sticker on.
- 2** Bolts 'A' and 'B' go through the end plate THEN have a 3mm white spacer fitted BEFORE fitting to the frame.
- 3** Bolt 'C' only goes through the end plate and the frame.
- 4** Repeat for the other end.
- 5** One end plate will have a large hole in. Fit the black grommet into this hole.

**DO NOT FULLY TIGHTEN
BOLTS AT THIS STAGE**

END PLATES

1

SQUARING THE FRAME

Use a piece of glass to square the unit up as shown. Slacken the nuts if necessary to move the framework into a square position.

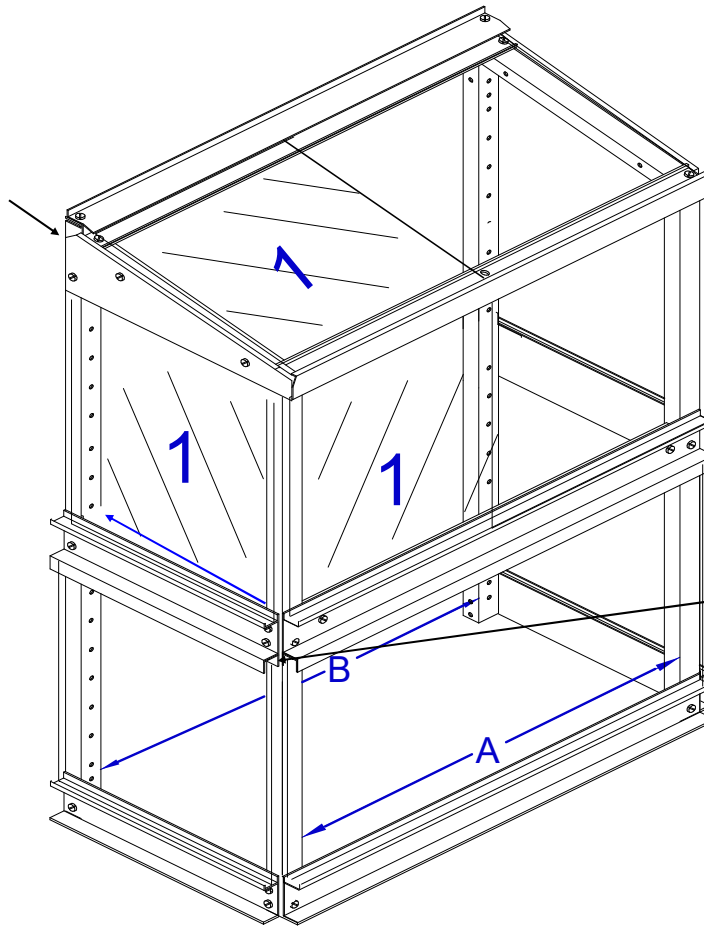
Page 14 gives instructions on how to fit the glass into the frame.

IT IS ESSENTIAL TO GET THE FRAME SQUARE.

Ensure distance 'A' is equal to distance 'B' otherwise the shelves will not fit.

Remove glass after squaring.

If this nut turns while tightening, use a small pair of pliers to hold the nut



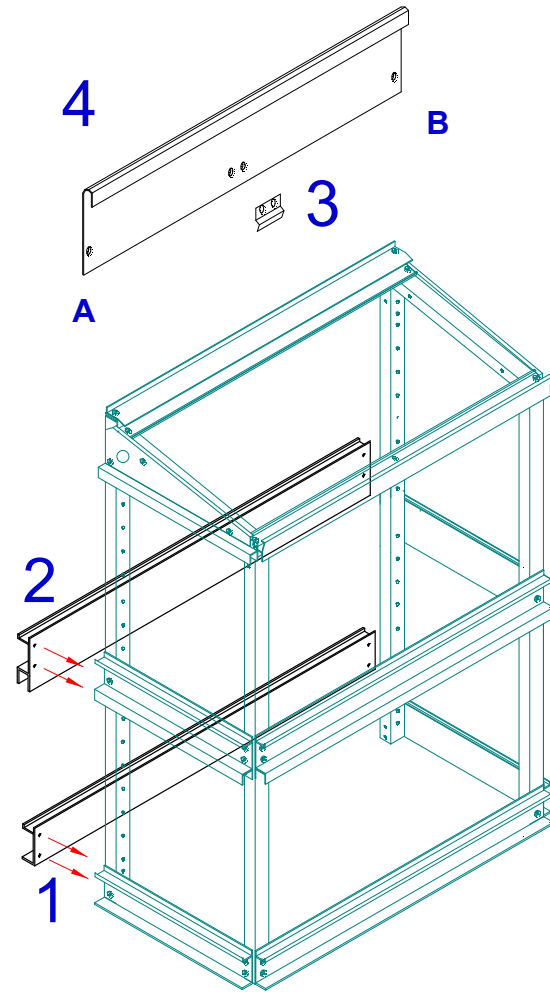
To check the squareness of the end, slide end glass in from front corner, slacken end plate bolts if necessary

2

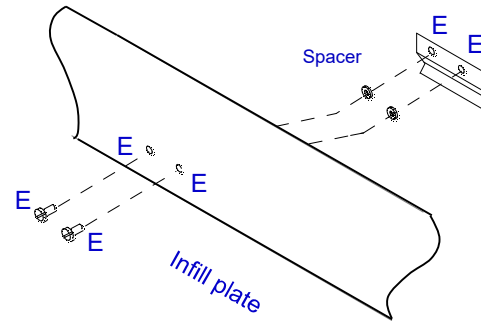
Once the frame is completely square fully tighten up all the nuts and bolts.

FULLY TIGHTEN ALL BOLTS EXCEPT THE END PLATE BOLTS, otherwise the framework will quickly work loose.

PERIODICALLY CHECK THE TIGHTNESS OF THE BOLTS



3 Remove the plastic protective film from the infill plate. 10mm bolts 'E' go through the infill plate from the outside. Put a 3mm white spacer on each bolt before pushing on the glass bracket, then fit the nut. Glass bracket is INSIDE frame and will clamp onto the glass once the glass is in place.

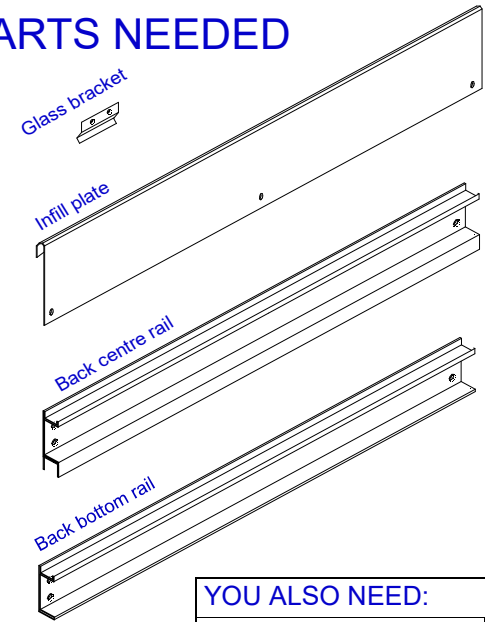


Completed bracket inside Growhouse



Nylon spacers on infill plate

PARTS NEEDED



YOU ALSO NEED:	
10mm BOLTS	2
30mm BOLTS	10
NUTS	12
20mm NYLON SPACER	10
3mm WHITE SPACER	4
Located in pack: SCREW-H8	

4 Place the lipped section over the upstand on the back rail. Push a long bolt through upstand on the back rail. Push a long bolt through hole A, then fit a white 3mm spacer and a 20mm nylon spacer. Push the bolt into the frame and fit a nut on the inside of the frame. Repeat for hole B at the other end. **Do not overtighten these bolts.**

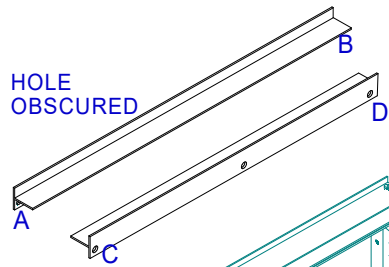
FULLY TIGHTEN BOTTOM AND CENTRE RAIL BOLTS



Nylon spacer on bolt

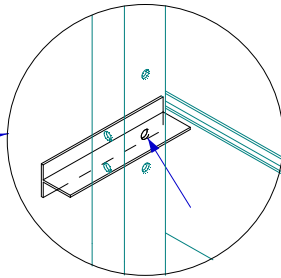
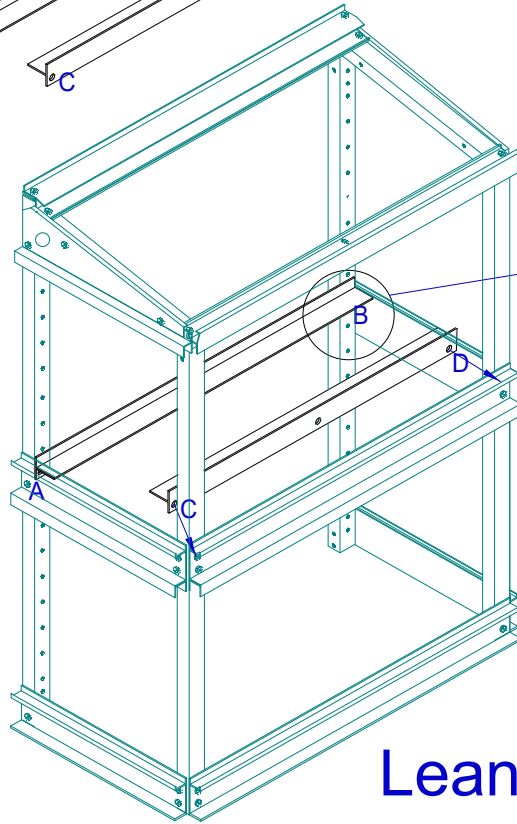
1 Bolt on back bottom rail. Push long bolts through bottom rail then fit a 20mm nylon spacer BEFORE passing through the leg and fitting a nut on the inside of the frame.

2 Bolt on back centre rail. Push long bolts through centre rail then fit a 20mm nylon spacer BEFORE passing through the leg and fitting a nut on the inside of the frame.



HOLE
OBSCURED

Centre staging rails must have fixing bolt holes on the underside



Bolt sits below staging rail

Lean to

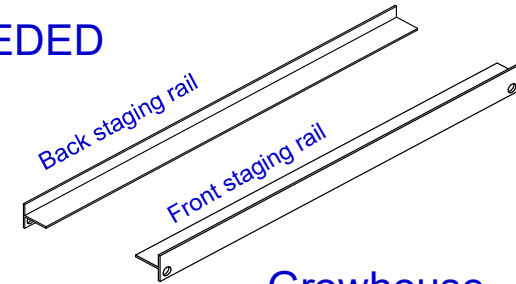
1

POSITION THE RAILS INSIDE THE FRAME AS SHOWN. BOLT THROUGH HOLES SHOWN

Front staging rail: replace the upper 10mm bolts on the front centre rail with 40mm long bolts. Slide on the 20mm nylon spacers, then the front staging rail before refitting the nut.

Back staging rail: the 10mm bolts removed from the front rail will be needed to fix the back staging rail. Fit the rail using the 12th hole from the floor.

PARTS NEEDED



Lean to

YOU ALSO NEED:

40mm BOLTS	2
NUTS	2
20mm NYLON SPACER	2

Growhouse

YOU ALSO NEED:

40mm BOLTS	4
NUTS	4
20mm NYLON SPACER	4

Growhouse

1

POSITION THE RAILS INSIDE THE FRAME AS SHOWN. BOLT THROUGH HOLES SHOWN

Front staging rail: replace the upper 10mm bolts on the front centre rail with 40mm long bolts. Slide on the 20mm nylon spacers, then the front staging rail before refitting the nut.

Back staging rail: Push a 40mm bolt through the centre rail **upper** holes. Slide the 20mm nylon spacer onto the bolt **before** passing the bolt through the back leg. Fit the back staging rail onto the bolt then fit a nut.

To fit the centre staging glass (560mm x 560mm) sheets place these on the middle staging supports before glazing the frame. Centre Staging is in glass pack GT-FBU

FULLY TIGHTEN BOLTS

1 Fit the watering inlet.

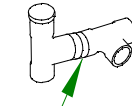


Fit the washer onto the thread of the adaptor, and then fit the nipple

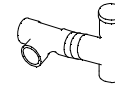
Push the assembly through the hole from the inside

Screw the brass elbow onto the protruding thread from the outside

Right hand watering entry:
The double tee is configured for fitting to the left hand end. To change to r/h entry, twist the tee through 180 degrees.

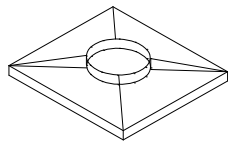
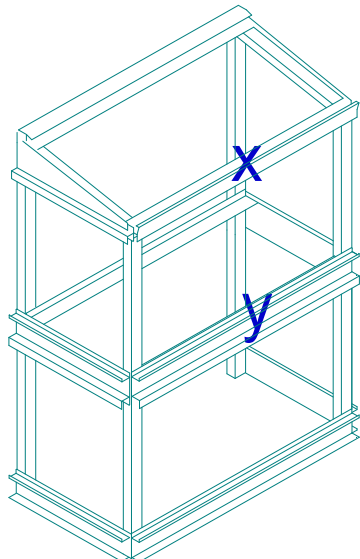


Twist here for r/h end fitting

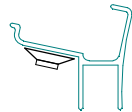


Finished tee for r/h end fitting

2 Clean any dirt or grease from the framework at positions 'X' and 'Y', then fit the self-adhesive strap holders at the centre point along the length of the rail.



X



Y



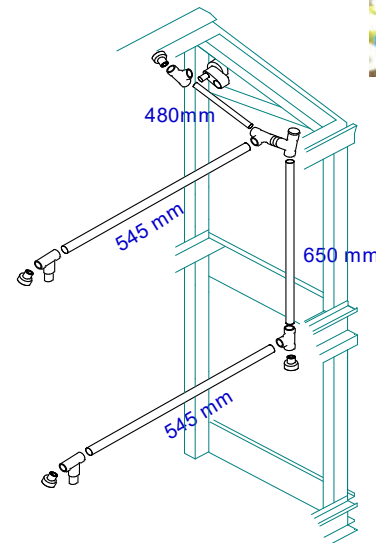
3 Fit the irrigation system as shown. The grey tubes push into the black fittings. Dip the end in water, then twist the pipes as they are inserted for a better fit. Ensure the open face of the grey nozzle faces into the frame.



Inlet and link pipe



Double tee



4 Once assembled use two black straps to secure the watering system to the framework using the two self-adhesive strap holders. Also strap the pipes to the end of the frame using the hole in the top leg and the hole half way down the front leg.



Use black strap through hole to fix pipework to holder

PARTS NEEDED:

	NOZZLE ASSEMBLY	2
	SINGLE TEE	2
	BLANKING PLUG	4
	DOUBLE TEE	1
	STRAP HOLDER	2
	GREY PIPES	4
	ENTRY FITTING	1
	BLACK STRAPS	4
Located in pack: I-SP-FB		

1

FIXING TO FLOOR

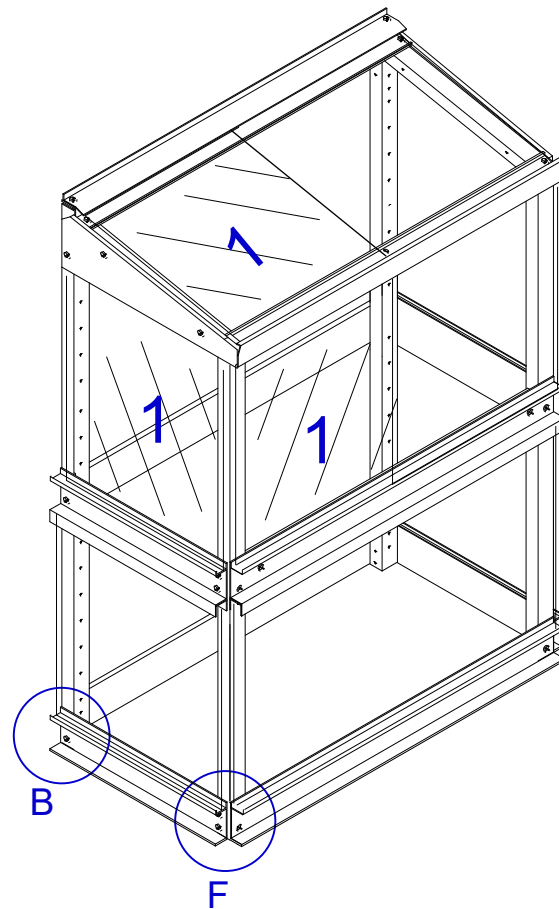
Fit the 'L' brackets to the front legs using a nut and bolt.

Turn the framework upside down and fit the 'L' brackets to the back legs using a nut and bolt.

PARTS NEEDED

Ground Fixing Pack FR-AKG

WEAR APPROPRIATE SAFETY EQUIPMENT WHEN DRILLING OR HAMMERING



2

Place the framework in its final position and drill through the bracket with a 6mm masonry drill bit, to a depth of 35mm. Insert the red rawplug, through the bracket and into the concrete.

Using a woodscrew, screw through the 'L' bracket and into the rawplug.

Repeat for other brackets.



Completed front bracket

FIXING TO A WALL (WALL FRAME ONLY)



Two screws are used in each back leg (NOT SUPPLIED). We recommend 2" No. 8 or No. 10 woodscrews.

When fixing to a wall, rawplugs will be required

Counting from the floor the screws go in the holes marked 'F'.

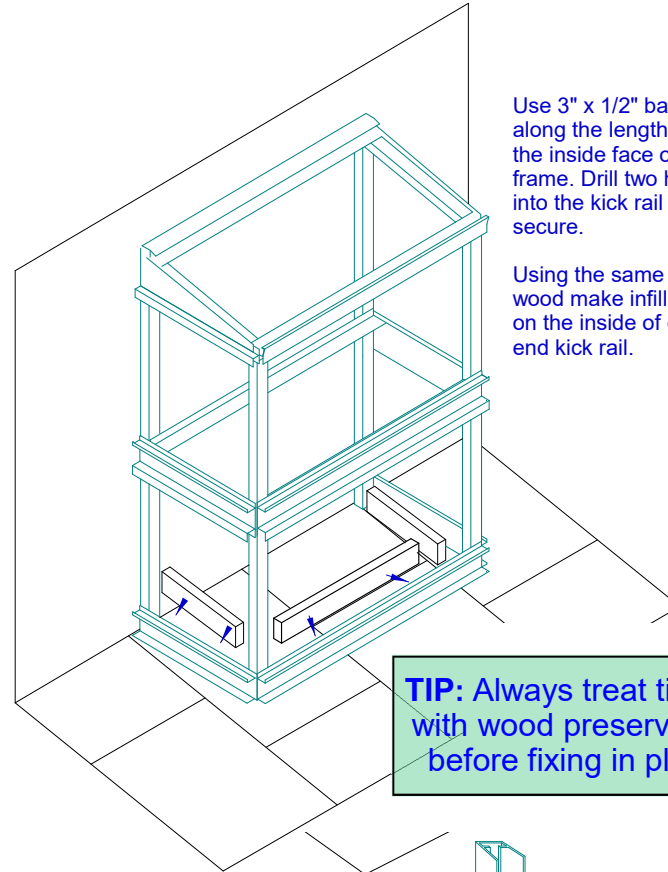
2 & 20

Back Leg

WEAR APPROPRIATE SAFETY EQUIPMENT WHEN DRILLING OR HAMMERING

WALL & FLOOR PROBLEMS

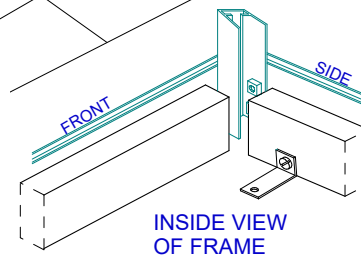
FLOOR FALLING AWAY



Use 3" x 1/2" batton along the length of the inside face of the frame. Drill two holes into the kick rail to secure.

Using the same size wood make infill pieces on the inside of each end kick rail.

TIP: Always treat timber with wood preservative before fixing in place



Screw or bolt 'L' shaped brackets to the wood and then to the floor

ROUGH OR SLOPING WALL

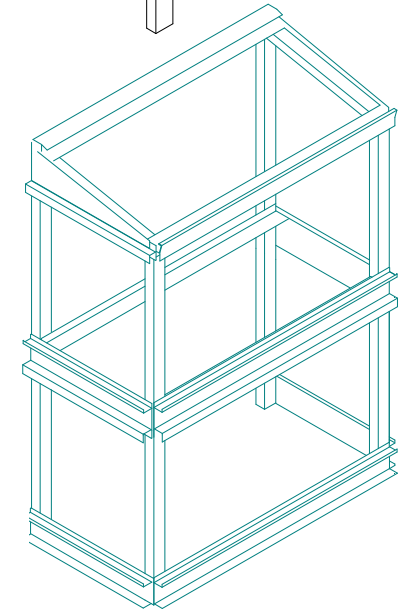
To solve problems with walls choose option A or B below. Fit the frame to the woodwork using 1.25" wood screws. (not supplied) Seal around the inside of the frame with silicone sealant when finished.

A

Fix 2" x 1/2" battons on top and two sides. Use spacers to make vertical. Infill with silicone sealant between wall and wood.

B

Fix 1/2" 'marine' plyboard (the size of the frame plus a 0.5" - 1" border) to the wall behind. Use spacers to ensure it is vertical.

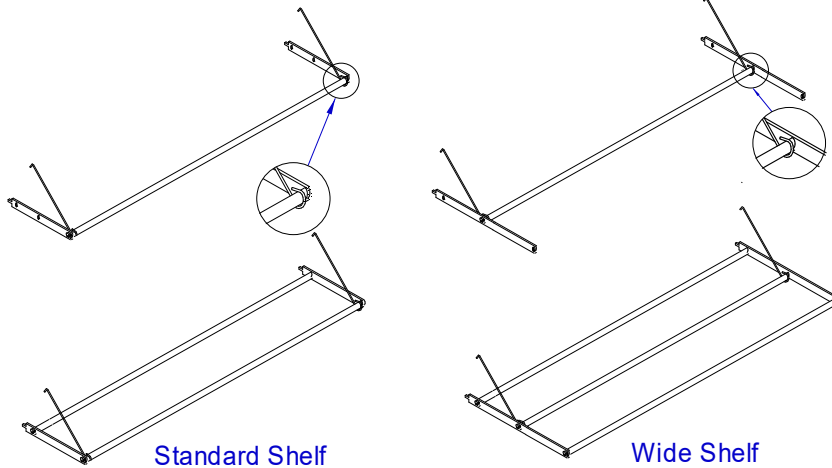
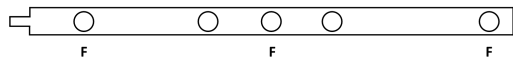


IGNORE THIS PAGE IF YOU HAVE A TOMATO HOUSE AND YOU DIDN'T PURCHASE SHELVES

FWG and FBG models have 2 standard full length shelves + 2 wide full length shelves.

- 1** Lightly tap rawplug inserts into both ends of the tubular aluminium shelf rods with a hammer.
- 2** Slide the two hooks onto the tube, as shown then screw the support bracket on at each end.
- 3** Fit the other rods to the shelf.

NEW 5-hole strap



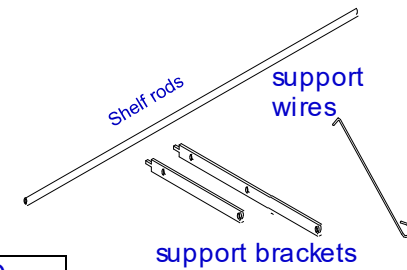
Note: A Pozidrive screwdriver will fit the screws best

FITTING



Hook support wire into top hole, then swing shelf upward into the adjacent hole below.

PARTS NEEDED



YOU ALSO NEED PER SHELF ROD:

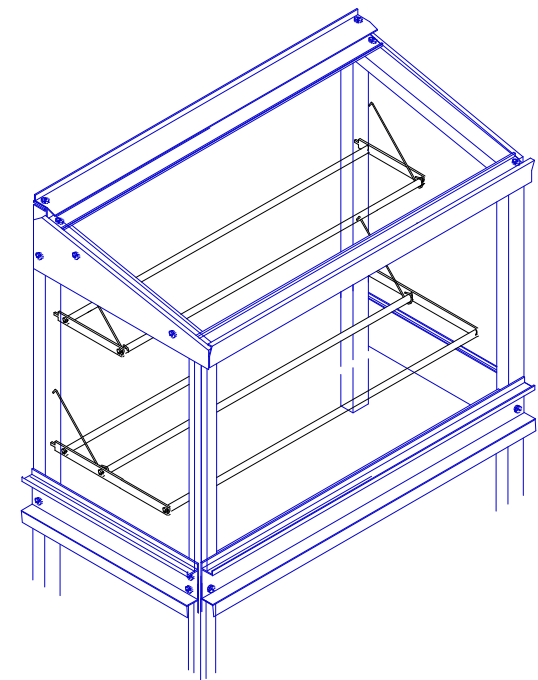
RAWLPLUGS	2
1" WOOD SCREW	2
Located in packs: S-V	

The large number of holes in the back leg allow the spacing of the shelves to be easily altered.

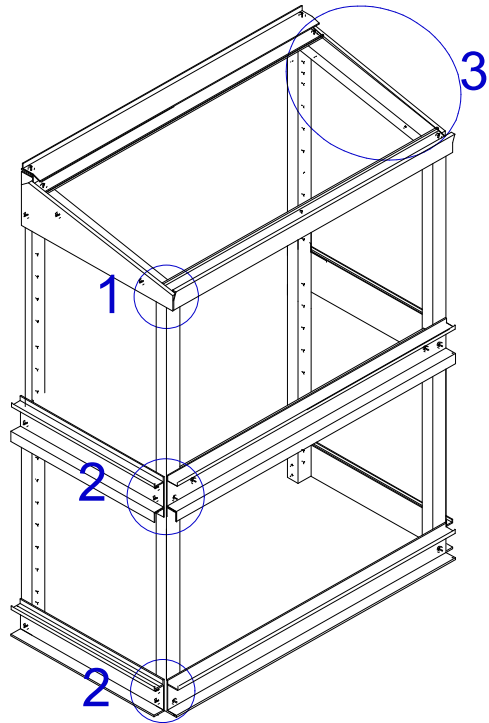
When the shelves are not needed they can either be removed or they can be unhooked from the lower fixing hole and hung flat against the back using the wires.



Bottom shelf hung flat against the back

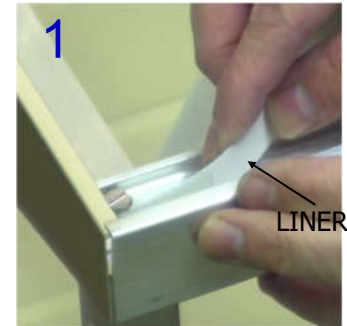
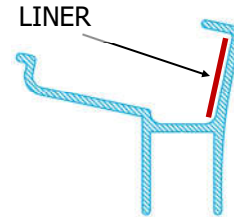


FITTING THE CHANNEL LINER



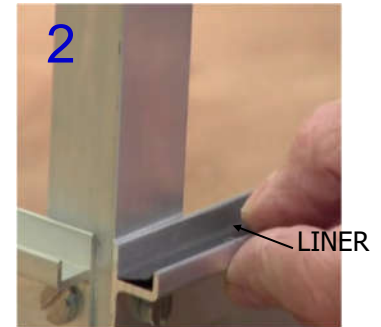
TIP:- Before sticking the tape, clean the aluminium of any oil traces to promote adhesion.

1 The white liner (W66-2M) fits on the inside vertical face of the top FRONT rail only. This is a loose fit so strips of double sided tape are included to secure it until the glass is in place.

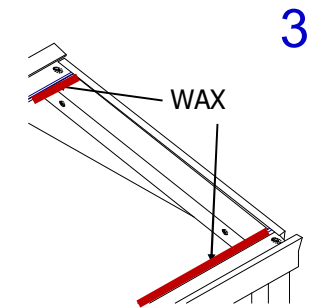
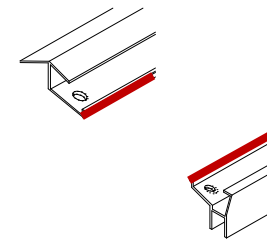


2 The black plastic liner (W65-5M) goes in the FRONT bottom and centre rails only. Using the strips of double sided tape press liner down so that it LIES FLAT at the bottom of the channel - trim with a knife if necessary.

THE DOORS WILL NOT SLIDE PROPERLY IF THE LINER IS NOT FLAT



3 To make the top glass slide more easily, rub candle wax onto the glass bearers.

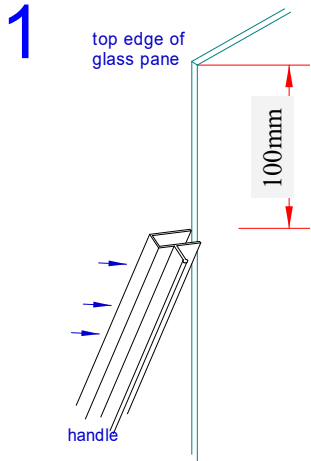


FITTING THE HANDLES

Sheets requiring handles 4

When fitting the handles, place the glass on a table or timber battens.
NEVER PLACE THE GLASS DIRECTLY ON CONCRETE OR SLABS

WARNING
 If broken, toughened glass will fragment safely.
 If the edges are knocked or chipped the glass will spontaneously fragment. This is a natural occurrence due to the toughening process. Care should be taken when moving or cleaning, not to damage the edge of the glass.
 When placing the glass in the frame, ensure that the glass is securely placed in the runners before letting go of the glass.



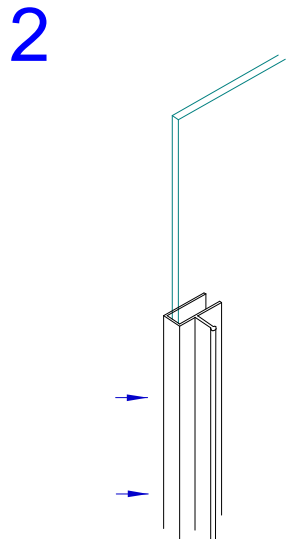
1
 First wipe the edge of the glass where the handle will fit with a very wet cloth.
 Then slide the handle over the edge of the glass, starting at the top corner of the handle.
 Place the handle 100mm from the top edge of the glass.
Note:
 If you have purchased the deluxe upgrade, place the longer length handle 15mm from the top edge of the glass.



Work on handle from side edge

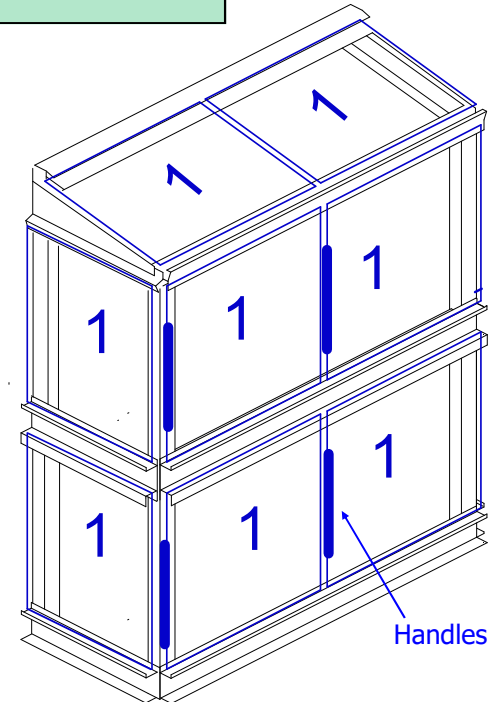
TIP: Always grip the handle in the CENTRE when sliding

GLASS	FWG	FBG	FGBT
610mm x 610mm	10	14	14



2
TIP: Do not try and slide the handle on from the top or bottom

Work the handle fully onto the glass.
DO NOT lift the glass by the handle
 Always grip the handle in the CENTRE when sliding



Top, back and end glass have no handles

FITTING HANDLES

Fit the handles to the front glass before fitting into the frame. Ensure the handles are always on the left hand side of the glass.

FITTING THE GLASS (TOP SHEETS, FRONT SHEETS & BOTTOM END SHEETS)

To fit the glass push the sheet into the deeper top channel, then lower into the bottom channel (E). Make sure the glass is firmly in the bottom channel before letting go. Always start glazing from the left hand end and overlap each subsequent pane by approx 1”(2cm).

TOP END GLASS

Slacken the two lower end plate bolts then slide the glass into place from the front corner. The glass is held between the framework and the end plate (A). The bolts on the end plates can then be carefully re-tightened. Fit a ring wedge (F) into the bottom glass channel.

BOTTOM END GLASS

To stop the lower end glass panel rattling, there are two 50mm long black end stops (C). Push these into the bottom channel of the end centre rails as shown. Fit a ring wedge (F) into the bottom glass channel.

TOP BACK GLASS—GROWHOUSE & TOMATO HOUSE ONLY

Slacken the four end plate bolts and gently slide the first sheet in from the rear corner. Gently slide the other sheet in from the other end. The two sheets will overlap in the centre, behind the glass bracket (B). Carefully retighten the bolts. Fit a ring wedge (F) into the bottom glass channel - 1 per sheet.

BOTTOM BACK GLASS—GROWHOUSE & TOMATO HOUSE ONLY

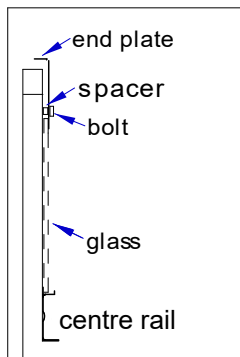
Fit the glass using the same method as the front glass. In the centre of each pane, push a black thimble shaped wedge into the top glass channel to prevent the glass rattling (D). Fit a ring wedge (F) into the bottom glass channel - 1 per sheet.



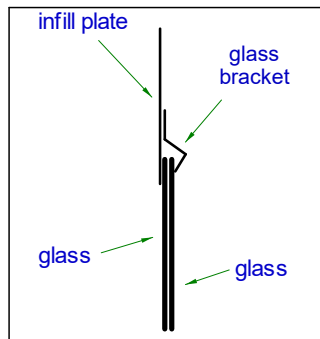
D. Thimble wedge detail
(Located in pack: SCREW-H8)



E. Fitting the glass



A. End glass detail



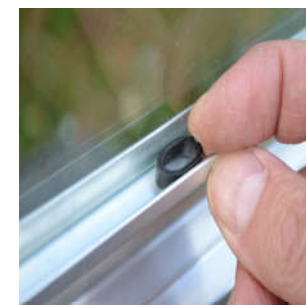
B. Top back glass overlap detail



B. Glass bracket



C. End stop detail
(Located in pack: SCREW-H5)



F. Ring wedge
(Located in packs: SCREW-H5 and SCREW-H8)

GLASS STICKS TOGETHER	This is normally due to the handles not being put on the correct side of the glass. See page 13 for details of where the handles should be fitted to the glass.
HANDLES COME OFF	<p>As the handles are of a clamp design they can be pulled off if too much force is applied to them. If the glass has stuck together due to moisture, or if the glass does not slide smoothly, this will strain the handle and cause it to come off.</p> <p>Ensure that the channels and the glass are kept clean at all times to minimise the sliding force needed. Candle wax applied to the channel and the underside of the glass will also help the sliding action. Also check that the handles have been fitted correctly. See page 13 for full instructions.</p> <p>Sometimes the soft plastic gets a layer of dirt on it that prevents it from gripping the glass. If this is the case the handle will just slide on and slide off with almost no grip. If the handle comes off easily, take the handle off and wipe the two strips of very soft plastic with a damp cloth.</p> <p>If handles come off frequently either purchase some new handles from Access or use a glue such as 'liquid nails' or 'no more nails' to permanently glue the handles to the glass.</p>
SHELVES WILL NOT FIT INTO THE BACK LEGS	Check that the back legs have been fitted the right way round - see page 2. Check that dimension A = B - see page 5.
GLASS FALLS OUT OF THE LOWER LEVEL	Ensure that the centre rail has the deeper channel at the bottom.
FRAMEWORK MOVES AND GLASS FALLS OUT	If the nuts and bolts haven't been properly tightened, the framework will quickly become loose and move, even in light winds. In strong winds the glass will fall out. Remove the glass, re-square the frame, then fully tighten all of the nuts and bolts.
WATERING INLET LEAKS (OPTIONAL ACCESSORY)	Try tightening the inlet fitting as it needs to be tight to seal. If this does not work, undo the fitting and use some white plumbers PTFE tape on the thread and re-assemble.

PERIODIC MAINTENANCE Every Spring take the glass out of the greenhouse and wash glass and framework with warm soapy water. When inserting the glass, always check that the glass is properly seated in its top and bottom channels before letting go of the sheet.

CHECK THE TIGHTNESS of all bolts regularly, especially in very windy areas or powder coated frames.

CROP ROTATION Suggestions for suitable crops and sowing dates given in the free Access Growing Guide

VENTILATION In cold weather gentle ventilation can be given by sliding the front sheets of glass to give 2-3" (5-8cm) gap at each corner. In warmer weather allow a gap on the top sheets as well. In very hot weather open all the sheets of glass. To ensure that the correct temperature is maintained use a thermometer inside the greenhouse. You can completely remove the top sheets in summer.

GALES The greenhouse must be kept fully closed in rough weather.

GLASS CHANNELS Ensure that this is kept free from debris and allows the glass to slide smoothly. Periodically lubricate the running edge of the glass with a wax candle.

SNOW Snow is very heavy - avoid letting it build up on the roof

SHELVING Stand pot plants on saucers, or use optional shelf covers which incorporate a layer of capillary matting to absorb excess water when watering. Alternatively, stand the pots in empty seed trays.

SITING Site on the sunniest place available. Anything from East through South to West is suitable. If it has to face North, don't despair, it will be warmer in than outside! If you can fix to a brick or stone wall, you will get extra heat storage during the day.

REDUCING THE LENGTH If it is just too long for your ideal spot, it can be shortened. Re-drill the holes at one end of the rails - moving them in by the amount you need to remove. Hacksaw off the surplus aluminium and shorten the shelf rods. The glass will merely overlap more - don't try to cut toughened glass!

OPTIONAL ACCESSORIES

MIDDLE STAGING To accommodate tall plants slide one sheet over another or lift out completely.

WATERING SYSTEM The system accepts standard quick connectors. Turn the tap on slowly until the mist fills the greenhouse; too much pressure will throw water on to the back wall. Leave on for 5 minutes, or ½ minute for damping down.