

ASSEMBLY INSTRUCTIONS

Double Tomato House

CONTENTS

Main aluminium parts	P1
End sections	P2
Adding the long rails	P3
End plates	P4
Fitting the support straps	P5
Fitting the brace (optional)	P6
Squaring	P7
Ground fixing (optional)	P8
Fitting shelf runners (optional)	P9
Assembling shelves (optional)	P10
Fitting liner	P11
Fitting handles	P12
Fitting glass	P13
Troubleshooting	P14
Notes on using the frame	P15

Please keep all packaging until installation is complete



Model FFG shown

Video instructions:

Helpful video clips are available at

www.garden-products.co.uk/instructions

Can we improve?

We hope that you find our instructions clear and concise. If you have any suggestions for improvements email:

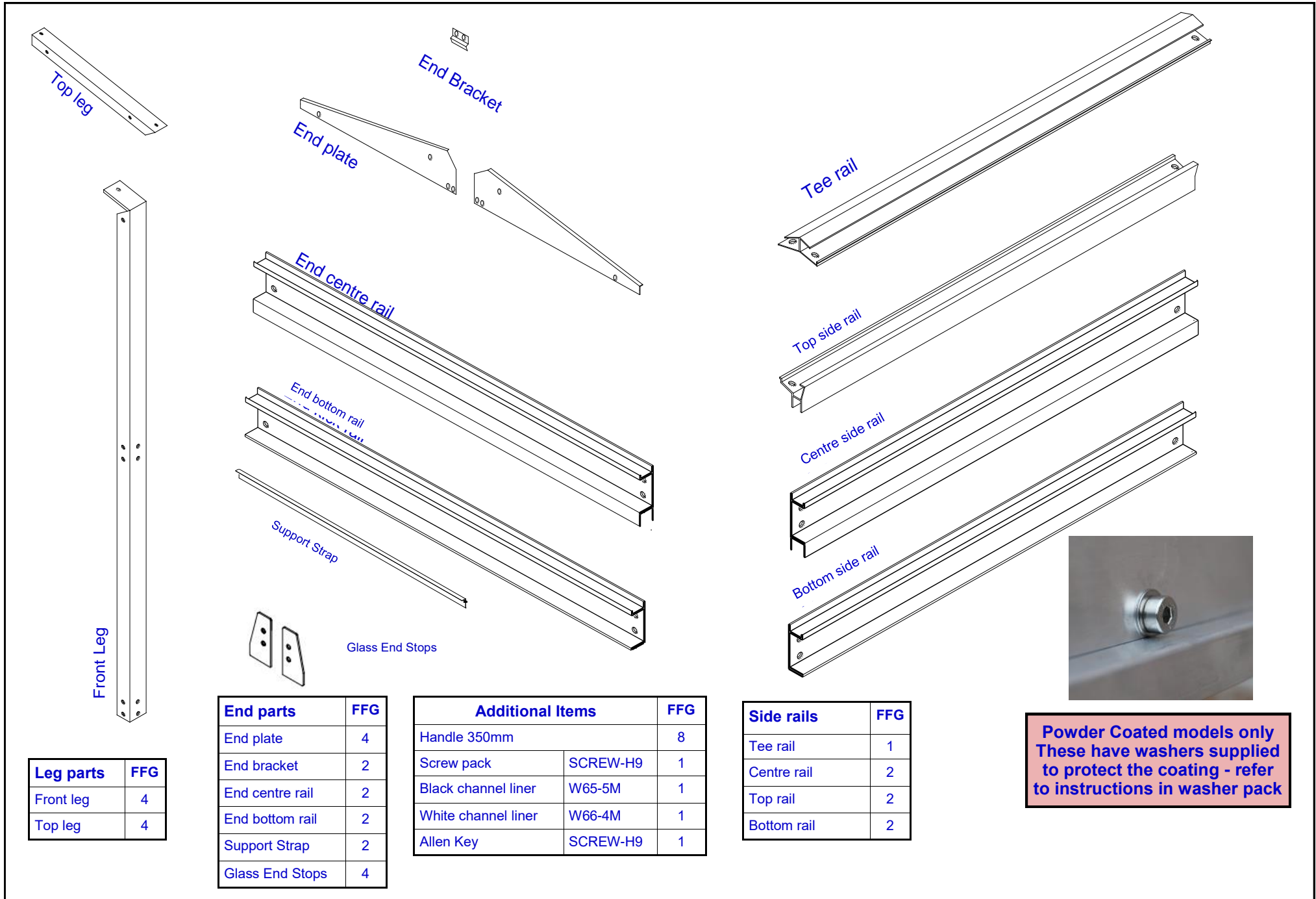
instructionfeedback@garden-products.co.uk

Access Garden Products
Crick
NORTHAMPTON
NN6 7XS

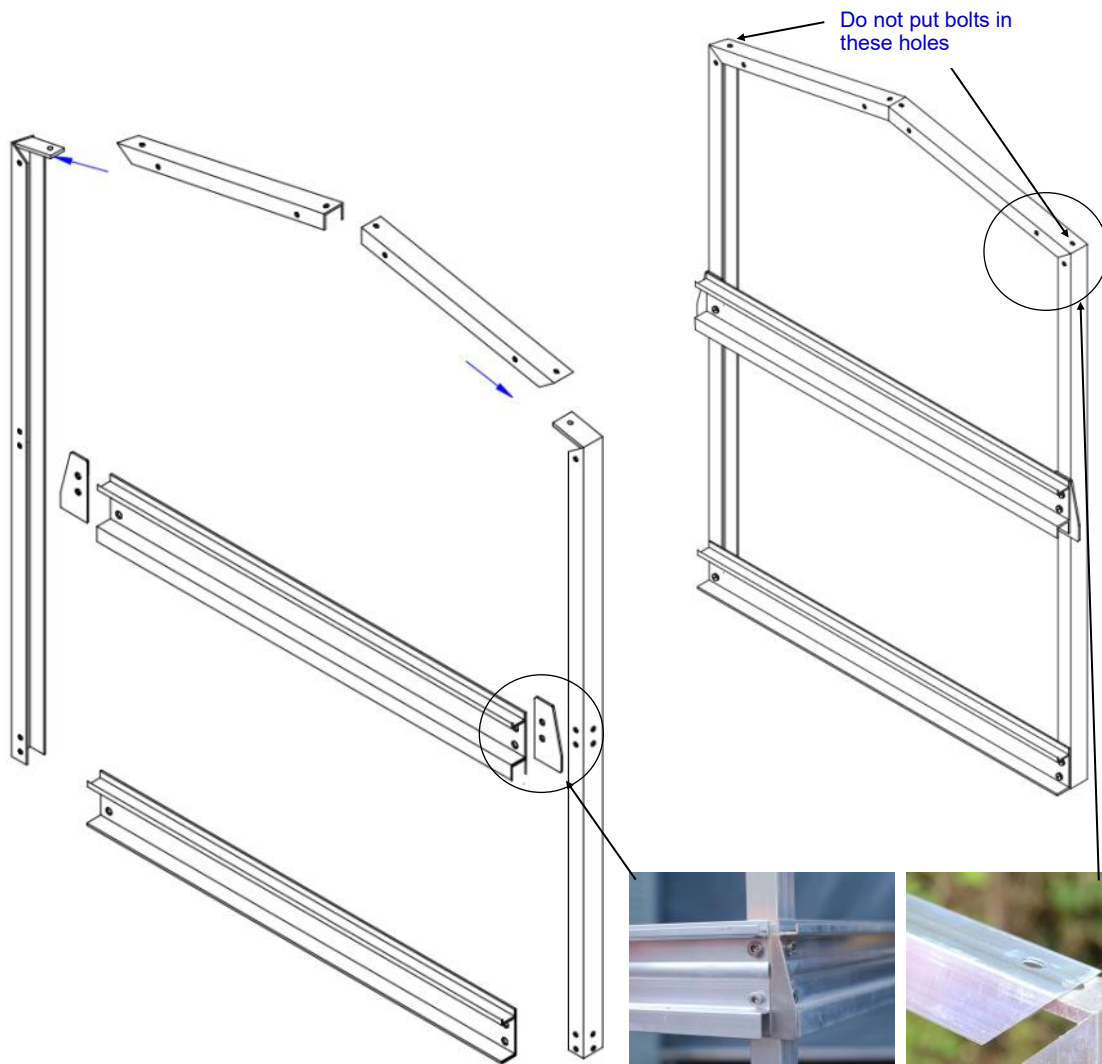
Tel: 01788 822301
Fax: 01788 824256
sales@garden-products.co.uk
www.garden-products.co.uk

Assembly instructions for models: FFG (Double Tomato House)

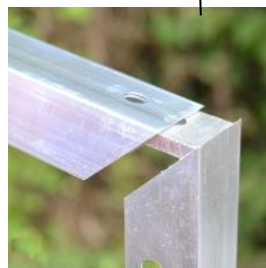
Date: Jan 2024 Rev 8 File: FFG



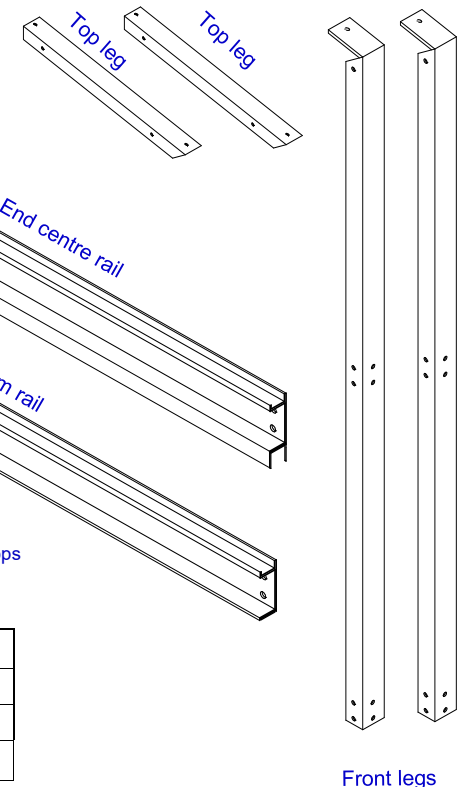
FINISHED LEFT HAND END



Deeper Channel at bottom



Slide the tongue of the front leg into the groove on the top leg.



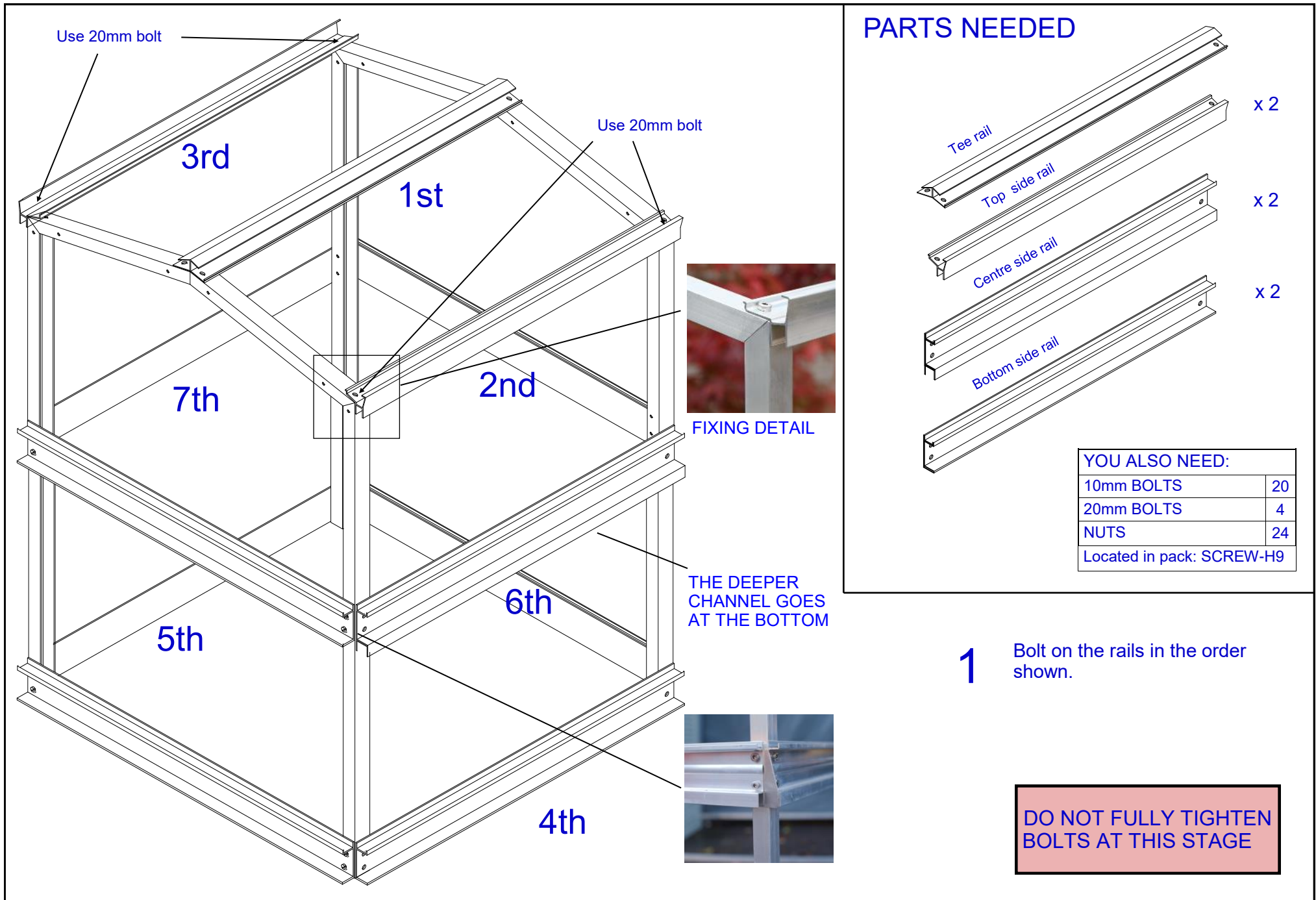
YOU ALSO NEED:

10mm BOLTS	8
NUTS	8
Located in pack: SCREW-H9	

PARTS NEEDED FOR EACH END

- 1** Slot the side and top legs together
- 2** Make up the LEFT hand end as shown using the end centre kick rail and end bottom rail.
- 3** Make up the RIGHT hand end (NOT SHOWN)

DO NOT FULLY TIGHTEN BOLTS AT THIS STAGE



PARTS NEEDED

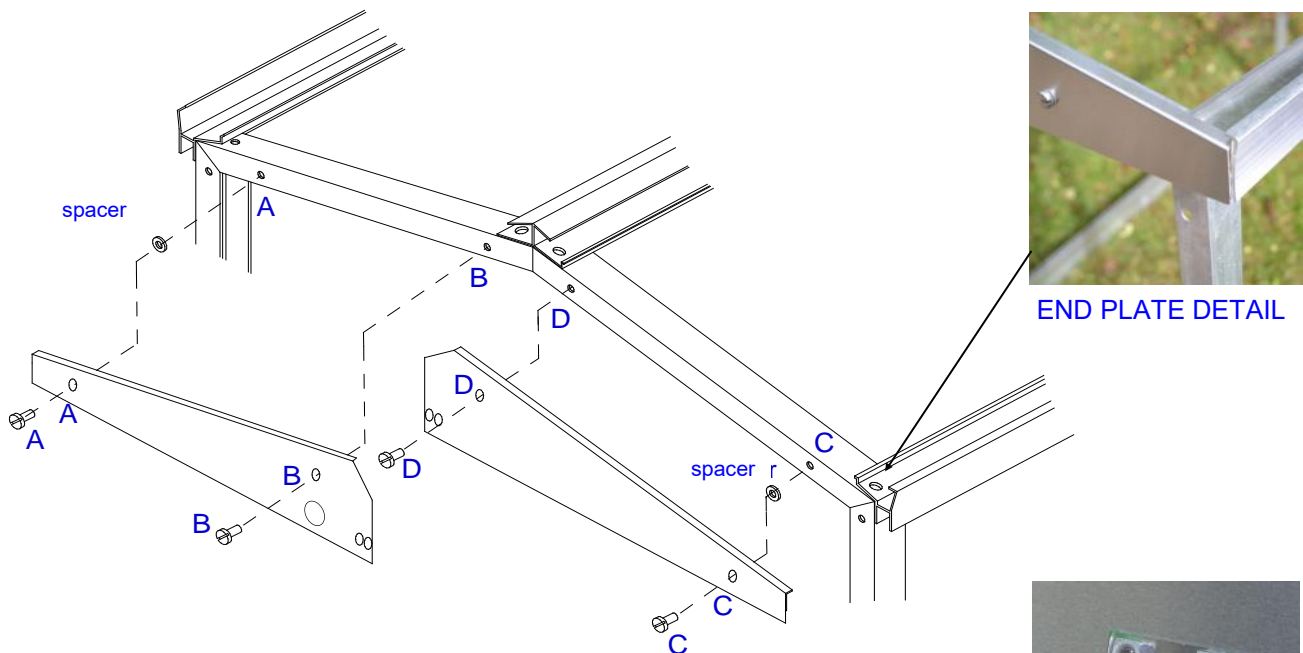
- Tee rail x 2
- Top side rail x 2
- Centre side rail x 2
- Bottom side rail x 2

YOU ALSO NEED:

10mm BOLTS	20
20mm BOLTS	4
NUTS	24
Located in pack: SCREW-H9	

1 Bolt on the rails in the order shown.

DO NOT FULLY TIGHTEN BOLTS AT THIS STAGE

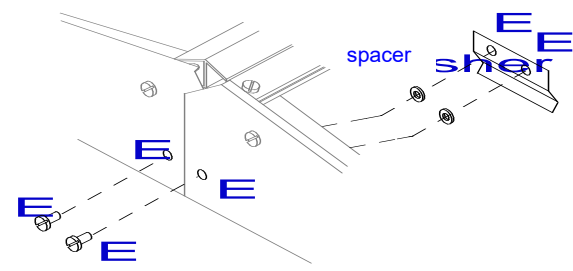


PARTS NEEDED FOR EACH END

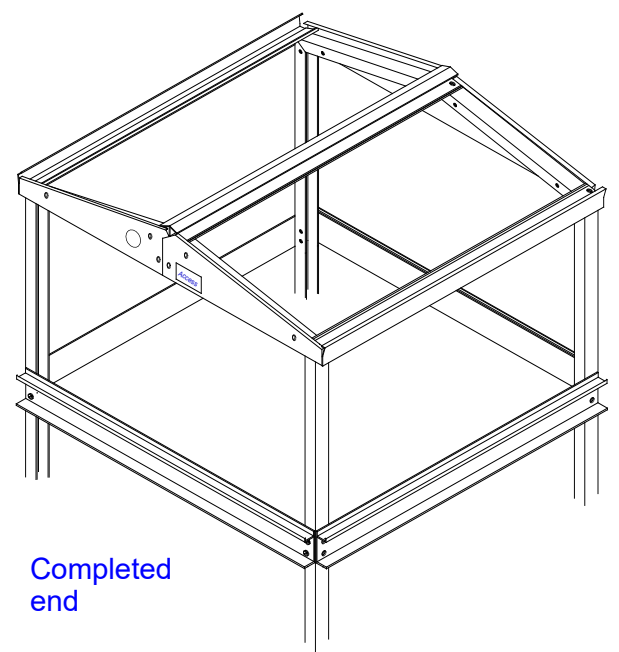
YOU ALSO NEED:

10mm BOLTS	6
NUTS	6
3mm WHITE SPACER	4
BLACK GROMMET	2
Located in pack: SCREW-H9	

- 1** **Remove any plastic protective film** from the end plates and put 'Access' sticker on.
- 2** Bolts 'A' and 'C' go through the end plate THEN have a 3mm white spacer fitted BEFORE fitting to the frame.
- 3** Bolts 'B' and 'D' only go through the end plate and the frame.
- 4** Bolts 'E' go through the end plate THEN have a 3mm white spacer fitted. THEN push the end bracket over the bolts and fit the nuts.
- 5** One end plate will have a large hole in. Fit the black grommet into this hole.

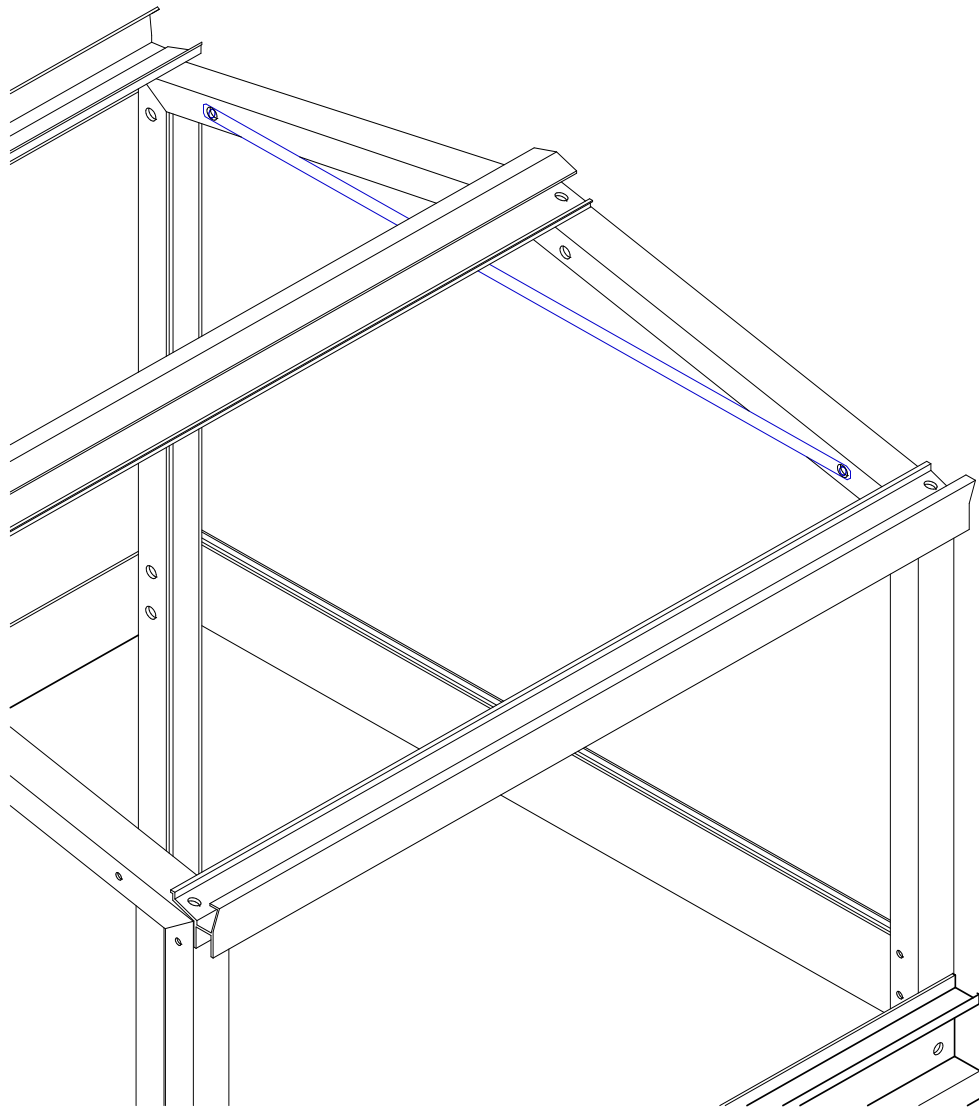


6 Repeat for the other end

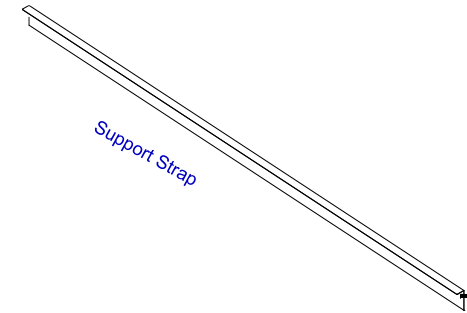


DO NOT FULLY TIGHTEN BOLTS AT THIS STAGE

END PLATES



PARTS NEEDED FOR EACH END



YOU ALSO NEED:

10mm BOLTS	2
NUTS	2
Located in pack: SCREW-H9	

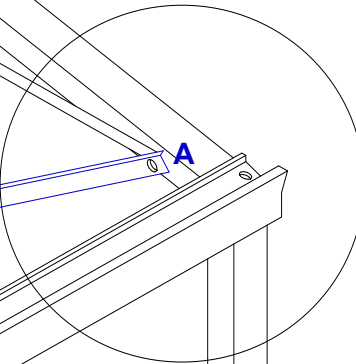
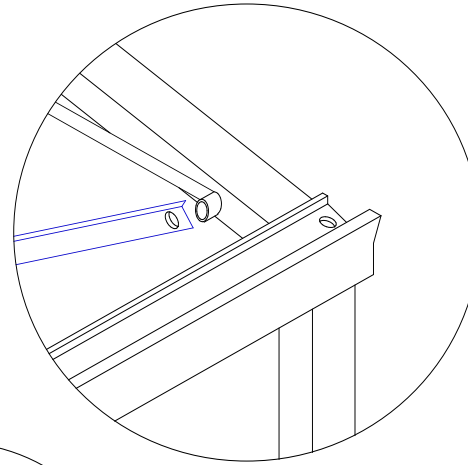
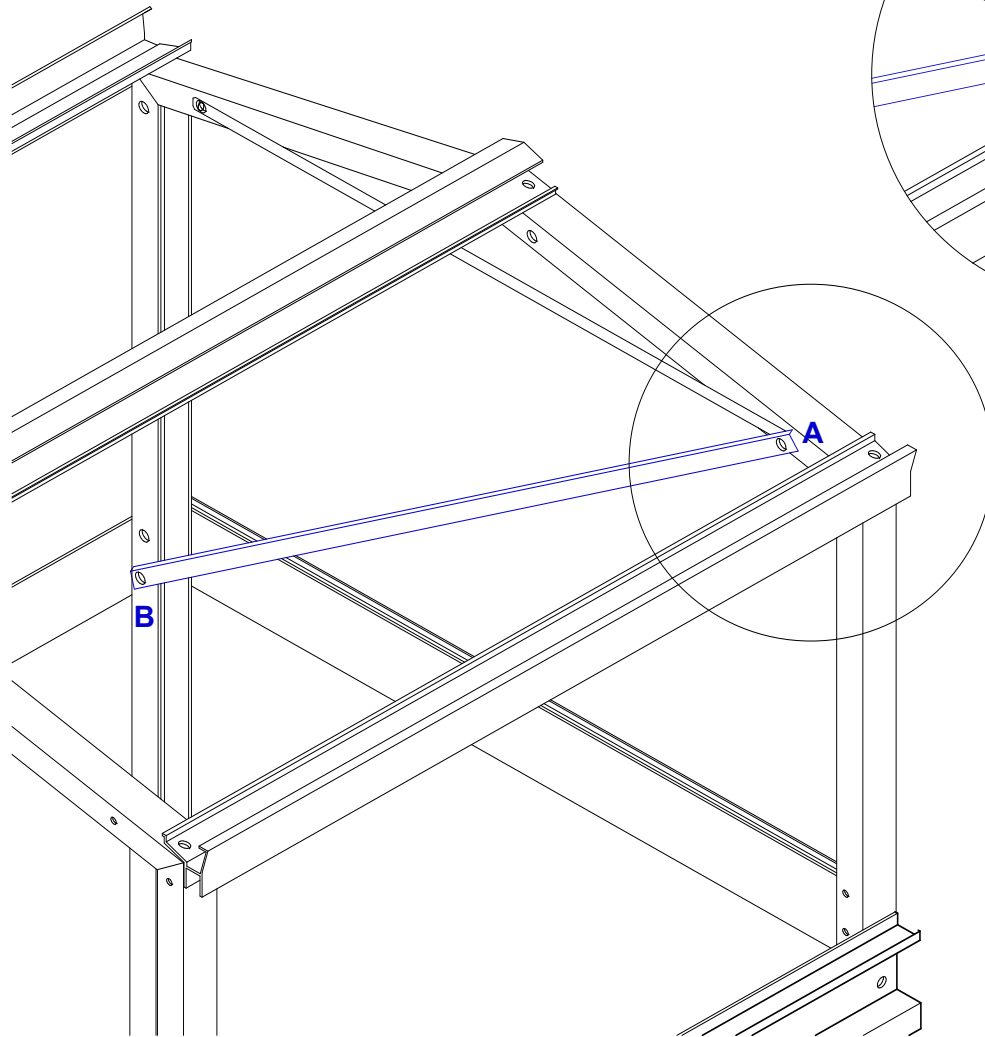
1

Fit the L shaped support strap as shown. If the strap seems slightly too short, pull upwards on the tee rail at the centre point. This will bring the fixing holes slightly closer together.

2

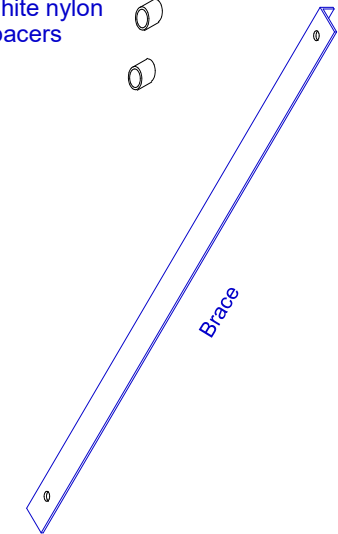
Repeat for the other end.

**BRACE IS
RECOMMENDED IN
WINDY AREAS**



PARTS NEEDED FOR EACH END

White nylon
spacers



YOU ALSO NEED:

20mm BOLTS	2
NUTS	2
WHITE NYLON SPACER	2
Located in pack: BR-FFG	

- 1** Remove the 10mm bolt and nut from the support strap at position A. Push the 20mm bolt through the brace, then fit the white nylon spacer before bolting through the support strap and to the framework
- 2** Push the second 20mm bolt through the brace and then fit the white nylon spacer before bolting to the framework at position B.
- 3** Repeat for the other end.

BRACE (optional)

1

SQUARING THE FRAME

Use a set square (or the A5 frame squaring card provided) to square the unit up in the 3 places shown. Slacken the nuts if necessary to move the framework into a square position.

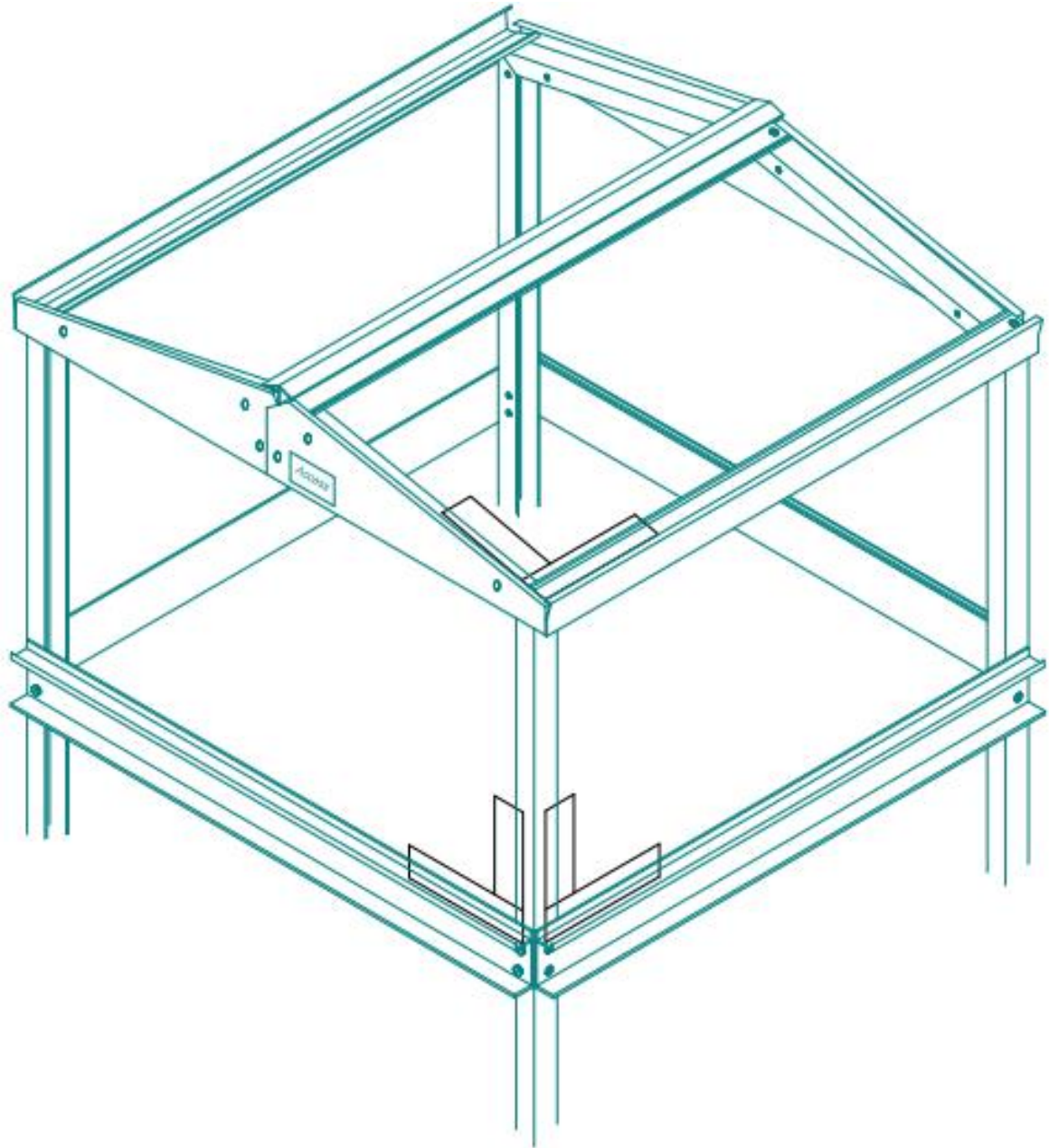
IT IS ESSENTIAL TO GET THE FRAME SQUARE.

2

Once the frame is completely square fully tighten up all the nuts and bolts.

FULLY TIGHTEN ALL BOLTS EXCEPT THE END PLATE BOLTS, otherwise the framework will quickly work loose.

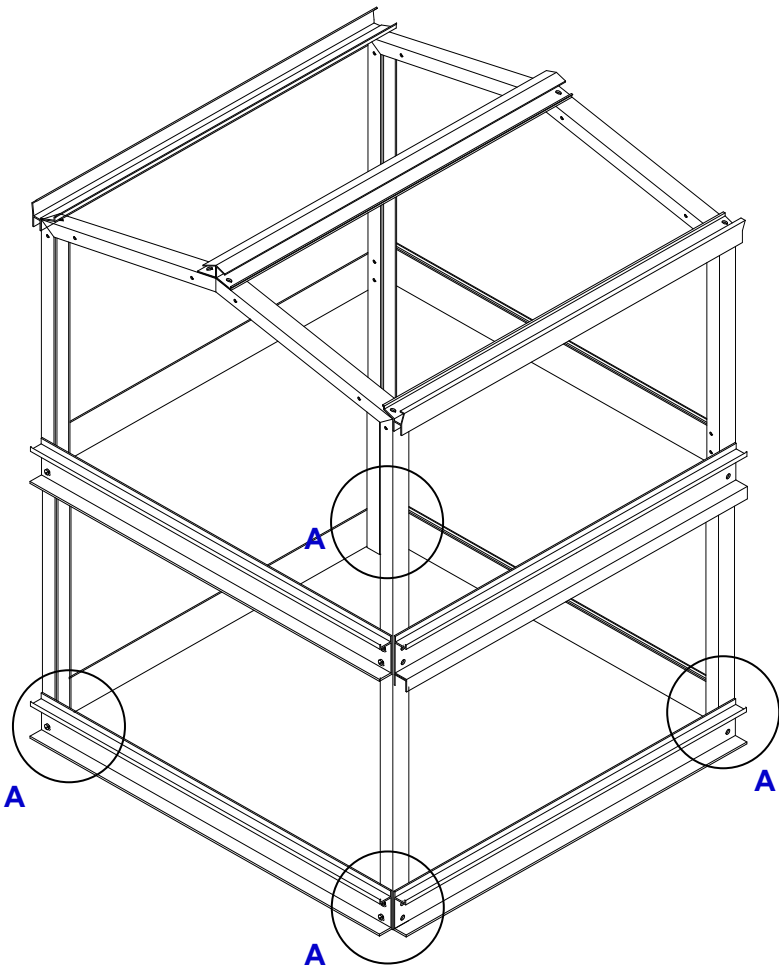
PERIODICALLY CHECK THE TIGHTNESS OF THE BOLTS



GROUND FIXING KIT IS RECOMMENDED IN WINDY AREAS

WEAR APPROPRIATE SAFETY EQUIPMENT WHEN DRILLING OR HAMMERING

PARTS NEEDED
Ground Fixing Pack FR-AKG (Optional)



1

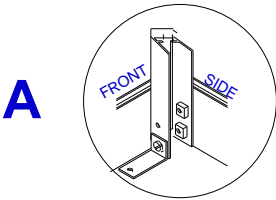
FIXING TO FLOOR (OPTIONAL KIT)

Fit the 'L' brackets to all 4 legs using a nut and bolt.

Place the framework in its final position and drill through the bracket with a 6mm masonry drill bit, to a depth of 35mm. Insert the red rawl plug, through the bracket and into the concrete.

Using a woodscrew, screw through the 'L' bracket and into the rawl plug.

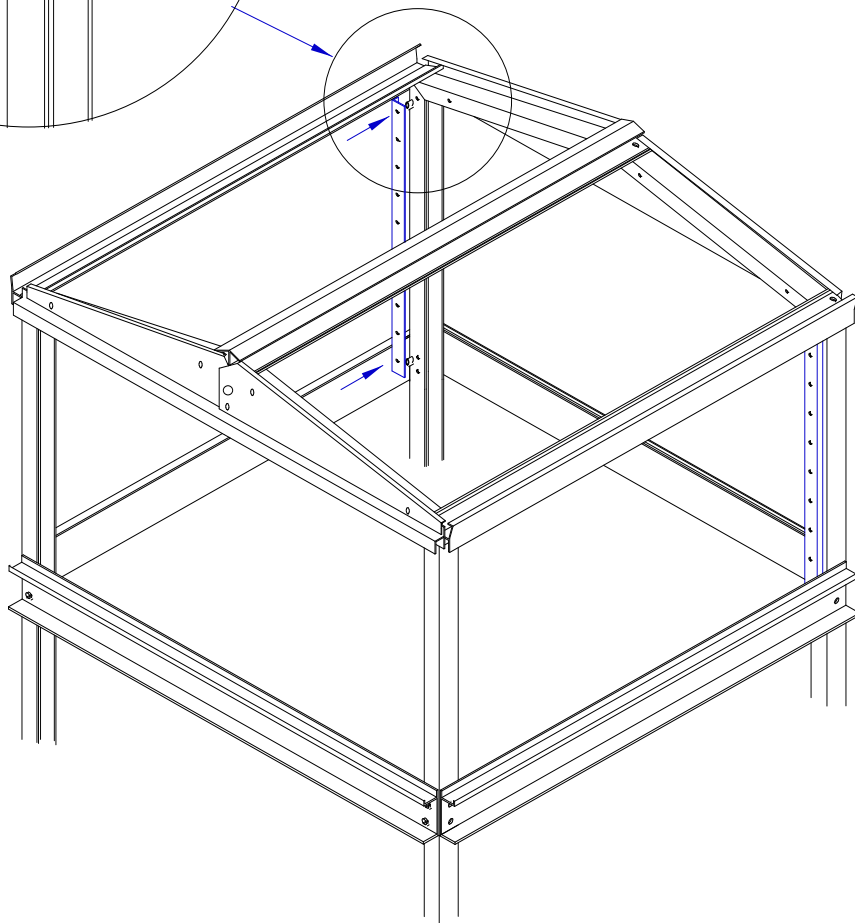
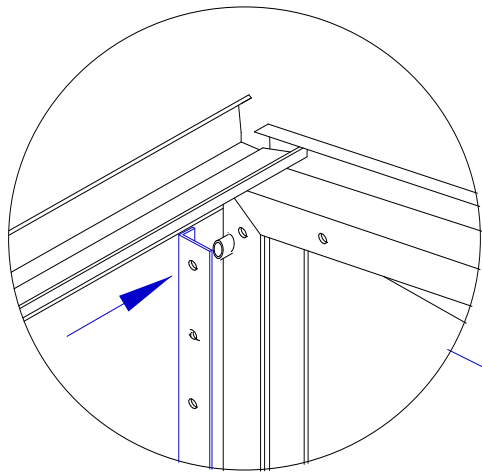
Repeat for other brackets.



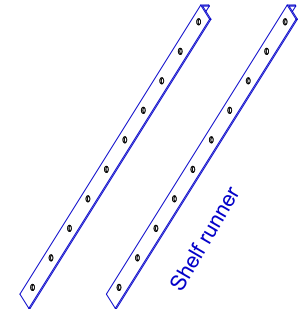
INSIDE VIEW OF FRONT LEG SHOWING FIXING



Completed front bracket



PARTS NEEDED



YOU ALSO NEED:

20mm BOLTS	4
NUTS	4
Located in pack: SURG	

1

SHELF RUNNERS

Bolt a shelf runner onto each of the legs using 20mm bolts. The white nylon spacer is fitted between the leg and the runner

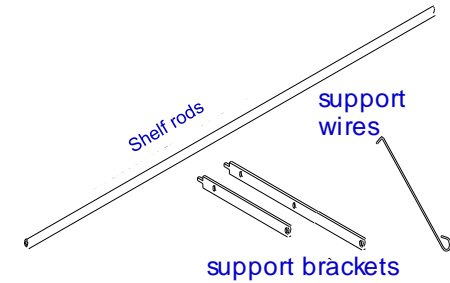
Two shelf sets can be fitted - one set each end.

Two additional shelf sets can be fitted into the lower sections of the tomato house, but this requires two mounting holes to be drilled into the framework.

IGNORE THIS PAGE IF YOU DIDN'T PURCHASE SHELVES

FITTING

PARTS NEEDED



YOU ALSO NEED PER SHELF ROD:

RAWLPLUG	2
1" WOOD SCREW	2
Located in packs: S-V	

1

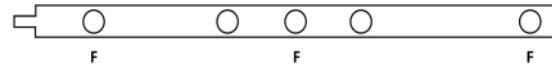
Lightly tap rawlplug inserts into both ends of the tubular aluminium shelf rods with a hammer.

2

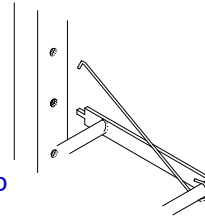
Slide the two hooks onto the tube, as shown then screw the support bracket on at each end.

3

NEW 5-hole strap
Fit the rods to the holes 'F'



Hook support wire into top hole, then swing shelf upward into the adjacent hole below.

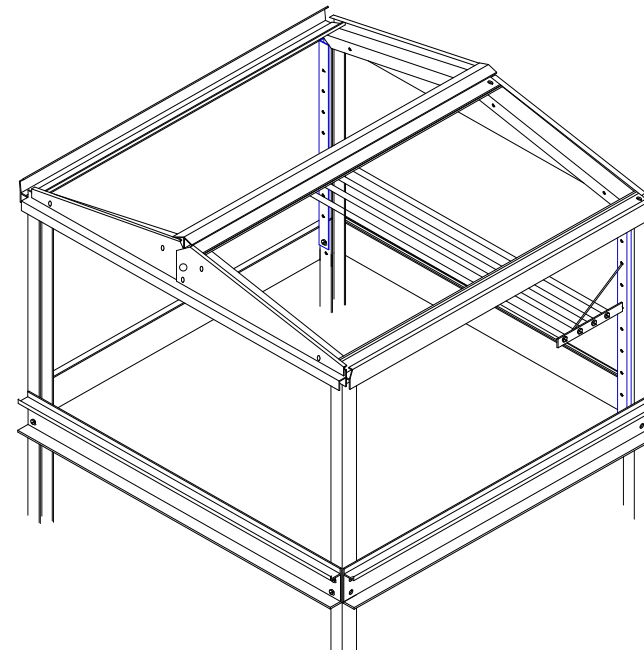
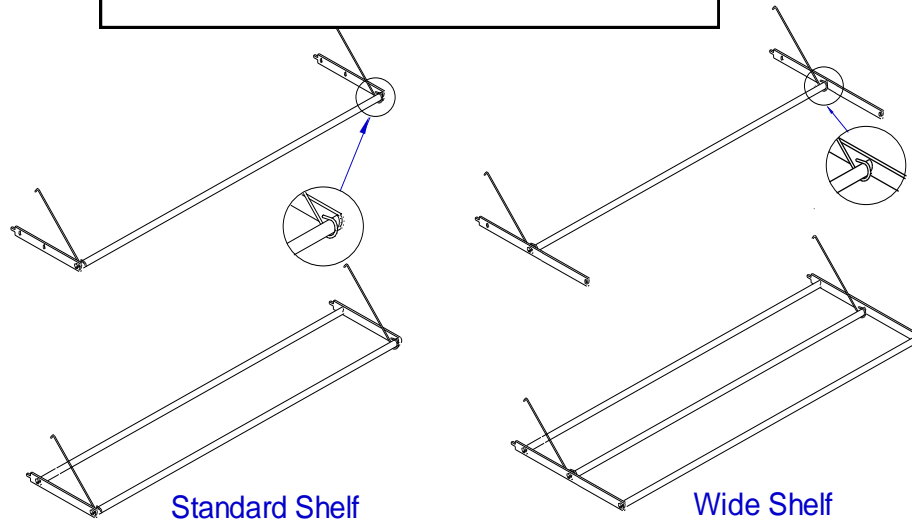


4

Fit the shelves across the end of the frame, on to the shelf runners

The large number of holes on the runner allow the spacing of the shelves to be easily altered.

When the shelves are not needed they can either be removed or they can be unhooked from the lower fixing hole and hung flat using the wires.



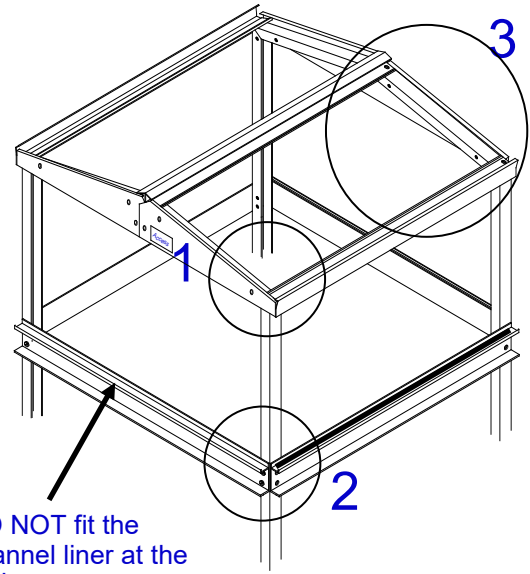
Bottom shelf hung flat against the back

Note: A Pozidrive screwdriver will fit the screws best

SHELF ASSEMBLY (optional)

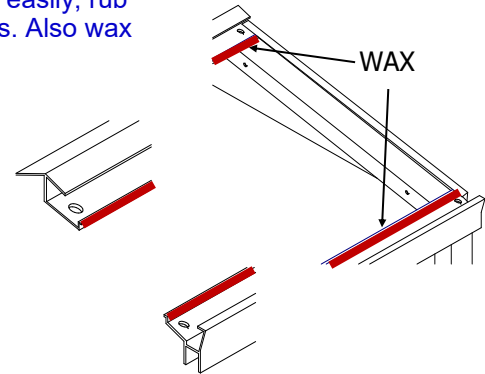
FITTING THE CHANNEL LINER

TIP:- Before sticking the tape, clean the aluminium of any oil traces to promote adhesion.

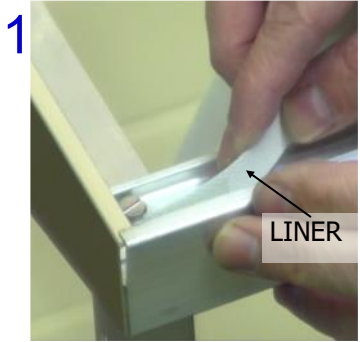
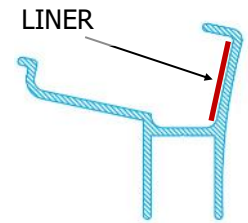


DO NOT fit the channel liner at the ends

3 To make the top glass slide more easily, rub candle wax onto the glass bearers. Also wax the black and white liners.

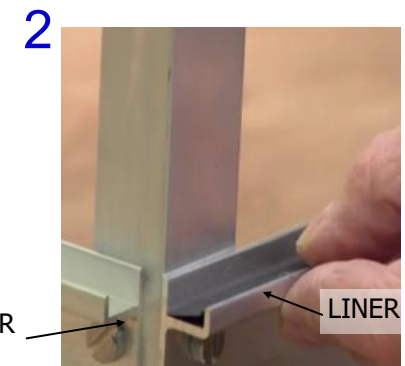


1 The white liner (W66-4M) fits on the inside vertical face of each side rail only. This is a loose fit so strips of double sided tape are included to secure it until the glass is in place.



2 The black plastic liner (W65-5M) goes in the side bottom rails and the side centre rails (**not end rails**). Using the strips of double sided tape press liner down so that it **LIES FLAT** at the bottom of the channel - trim with a knife if necessary.

THE DOORS WILL NOT SLIDE PROPERLY IF THE LINER IS NOT FLAT



Removing the tape

Peel the **narrower** backing tape off first, this will expose the sticky pad, allowing it to be stuck onto the liner.

Tip: Bend the backing tape back on itself to make it easier to peel the sticky pad off.

Place pads regularly down the length of the liner.

When ready, peel the wide backing pads off the tape and stick the liner to the aluminium.



On the next page are instructions on how to fit the handles to the glass

When fitting the handles, place the glass on a table or timber battens. **NEVER PLACE THE GLASS DIRECTLY ON CONCRETE OR SLABS**

Always fit the handles to the left hand side of the glass sheet

DO NOT lift the glass by the handle

If possible, leave the handles overnight in a warm place to promote the curing of the adhesive

WARNING

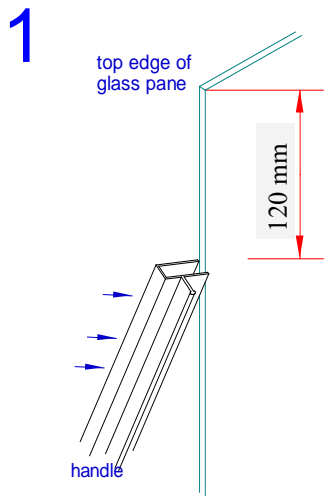
If broken, toughened glass will fragment safely.

If the edges are knocked or chipped the glass will spontaneously fragment. This is a natural occurrence due to the toughening process. Care should be taken when moving or cleaning, not to damage the edge of the glass.

When placing the glass in the frame, ensure that the glass is securely placed in the runners before letting go of the glass.

Sheets requiring handles 8

GLASS	FFG
610mm x 610mm	20



First wipe the edge of the glass where the handle will fit with a wet cloth.

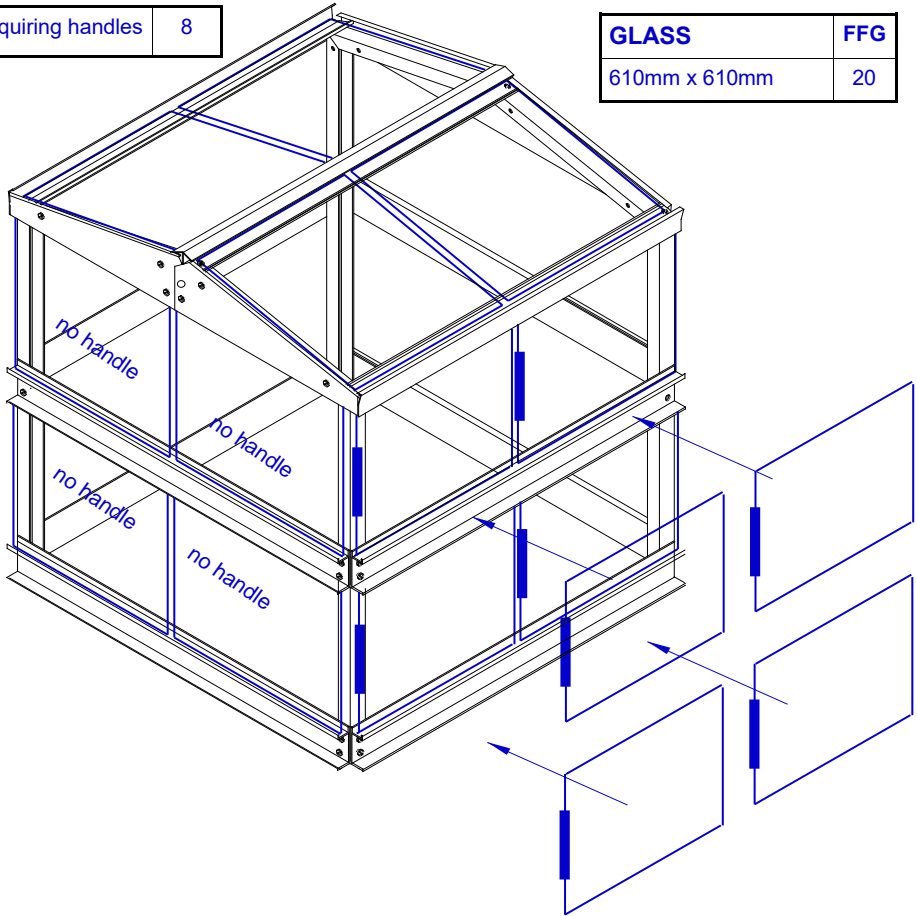
Then slide the handle over the edge of the glass, starting at the top corner of the handle.

Place the handle 120mm from the top edge of the glass.

TIP: Do not try and slide the handle on from the top or bottom



Work on handle from side edge



NOTE: If you purchased a louvre vent, fit it now.



1

Ideally work on a table or a workbench.

It is best to work inside to keep the pads warm and dry.



2

Front sheet handles are 120mm from the edge.

For the optional long handles mark 15mm from the top edge.



3

Open the sachet and wipe the glass where the tape will stick.



4

Replace the cloth in the plastic bag to prevent evaporation.



5

Peel the pad off the backing.

Each handle has 2 pads



6

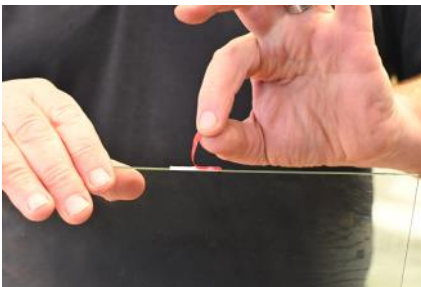
Press the pad down firmly to ensure good adhesion to the glass.



7

Use the handle to find the 2nd pad position.

Fit the second pad.



8

Peel the cover strips off all of the pads.



9

Using the pen mark as a guide, fit the handle. Slide the two arms of the 'U' over the edge of the glass.



10

Work the handle on with your hands.



11

Use one of the glass battens to gently tap the handle down.



12

Work the handle on all the way down the glass. Use the timber batten to tap the handle if necessary.

FITTING HANDLES

Fit the handles to the side glass before fitting into the frame. Ensure the handles are always on the left hand side of the glass.

FITTING THE GLASS

To fit the glass push the sheet into the deeper top channel, then lower into the bottom channel (E). Make sure the glass is firmly in the bottom channel before letting go.

The main illustration shows the glass side by side for clarity. When putting the sheets in the frame, start at the left hand end. The glass panels overlap each other by approx 15mm - 30mm.

To open the frame the glass should slide over the adjacent pane. The channel is only wide enough to take two sheets of glass side by side.

Roof sheets will slide if additional ventilation is required, however access into the frame is via side glass sheets. Roof sheets have no handles.

END SHEETS

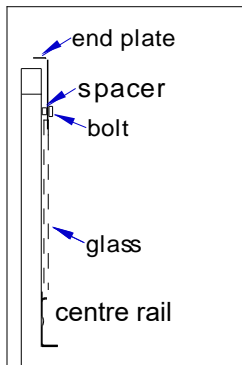
Slacken the four lower end plate bolts then gently slide the glass into place from the corner. The glass is held between the framework and the end plate (A) and (B) Then gently slide the other sheet in from the other corner. The two sheets will overlap behind the end bracket (c). The bolts on the end plates can then be gently tightened.

BOTTOM END GLASS

To stop the lower end glass panel rattling, push a black thimble shaped wedge into the top glass channel (D). Fit a ring wedge (F) into the bottom glass channel.



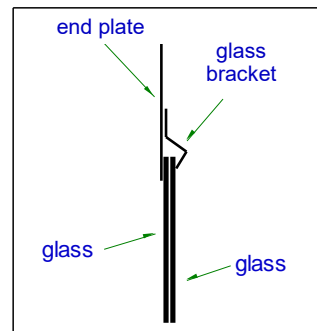
F. Ring wedge
(Located in pack: SCREW-H9)



A. End glass detail



B Cold frame end glass



B. End glass overlap detail



C. Glass bracket

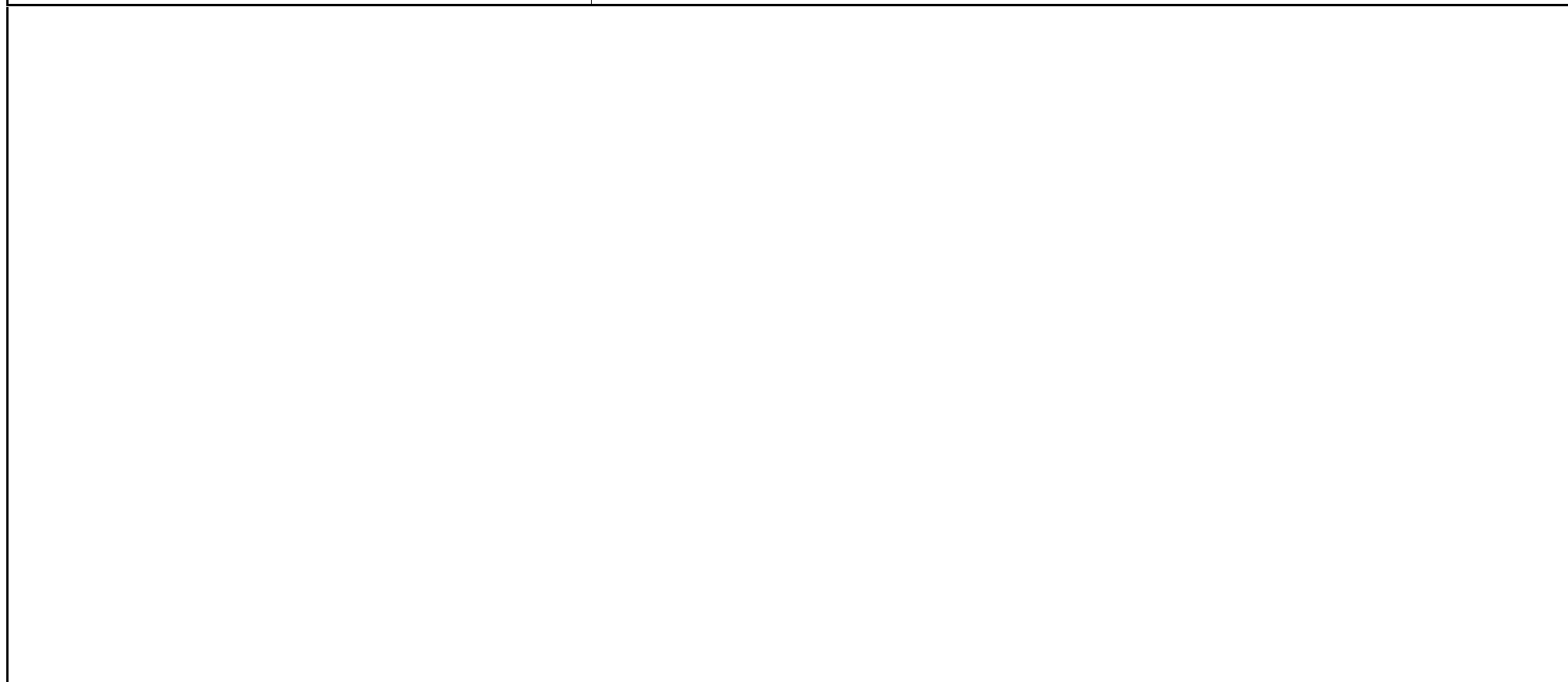


D. Thimble wedge detail
(Located in pack:
SCREW-H9)



E. Fitting the glass

GLASS STICKS TOGETHER	<p>This is normally due to the handles not being put on the correct side of the glass. See page 12 for details of where the handles should be fitted to the glass.</p> <p>The top glass will not slide when wet.</p>
HANDLES COME OFF	<p>If handles come off frequently either purchase some new handles and sticky pads from Access or use a glue such as 'liquid nails' or 'no more nails' to permanently glue the handles to the glass.</p>
GLASS FALLS OUT OF THE LOWER LEVEL	<p>Ensure that the centre rail has the deeper channel at the bottom.</p>



PERIODIC MAINTENANCE Every Spring take the glass out of the greenhouse and wash glass and framework with warm soapy water. When inserting the glass, always check that the glass is properly seated in its top and bottom channels before letting go of the sheet.

CHECK THE TIGHTNESS of all bolts regularly, especially in very windy areas or powder coated frames. In windy locations use the optional brace and ground fixing kit.

CROP ROTATION Suggestions for suitable crops and sowing dates given in the free Access Growing Guide

VENTILATION In cold weather gentle ventilation can be given by sliding the front sheets of glass to give 2-3" (5-8cm) gap at each corner. In warmer weather allow a gap on the top sheets as well. In very hot weather open all the sheets of glass. To ensure that the correct temperature is maintained use a thermometer inside the greenhouse. You can completely remove the top sheets in summer.

GALES The greenhouse must be kept fully closed in rough weather.

GLASS CHANNELS Ensure that this is kept free from debris and allows the glass to slide smoothly. Periodically lubricate the running edge of the glass with a wax candle.

SNOW If snow is very heavy - avoid letting it build up on the roof

SHELVING Stand pot plants on saucers, or use optional shelf covers which incorporate a layer of capillary matting to absorb excess water when watering. Alternatively, stand the pots in empty seed trays.

SITING Site on the sunniest place available. Anything from East through South to West is suitable. If it has to face North, don't despair, it will be warmer in than outside!

REDUCING THE LENGTH If it is just too long for your ideal spot, it can be shortened. Re-drill the holes at one end of the rails - moving them in by the amount you need to remove. Hacksaw off the surplus aluminium and shorten the shelf rods. The glass will merely overlap more - don't try to cut toughened glass!